

Utility Anchor System

The Dayton Superior Utility Anchor System is designed to economically simplify the lifting and handling of precast concrete elements. Its economics, ease of use and versatility will be a welcome addition to your precast operations.

Key Advantages

- High strength – up to 24,000 lbs. SWL
- No special lifting hardware required
- Uses a standard hook or clevis
- Easy to install and use
- Utilizes reusable 90° and 45° polyurethane recess plugs
- Eliminates “through holes” in the precast element
- An economical and versatile system – applicable to any precast concrete element

Added Benefit

Utility contractors can use the utility anchor effectively as a pulling iron. When used as a pulling iron, the safe working loads may be increased by 33%, based on the use of a 3 to 1 factor of safety.

The design of the Dayton Superior Utility Anchor Utility System assures the precaster of an economical, user-friendly system for lifting and handling precast concrete elements.

Utilize the Utility Anchor System to:

- Remove precast elements from their forms
- Handle in the precast yard
- Load for shipment
- Unload and place at the job site

The precaster is able to do it all without the need for any special lifting equipment or hardware. Simply use a standard hook or shackle to connect slings to the utility anchor for a safe lift.

The Utility Anchor System uses a polyurethane recess plug to create a void in the concrete. The concrete void created for the P75H utility anchor is sufficiently large to accept the following:

1. 6-ton Grade 8 alloy hook or
2. 7-ton forged alloy shackle

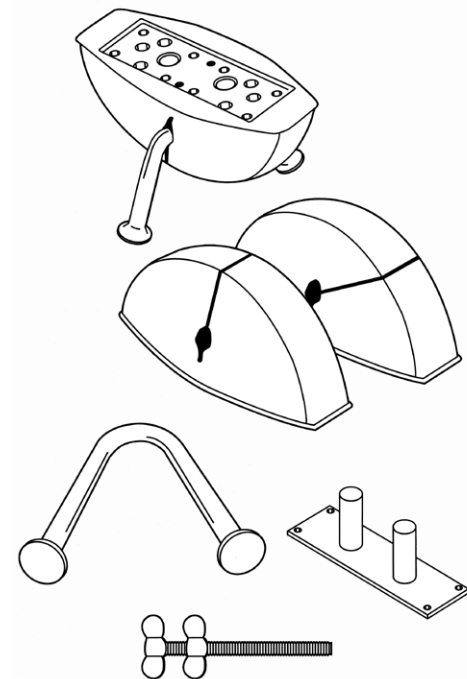
For the P75S Utility Anchors:

3. 15-ton cast/alloy hook or
4. 15-ton forged alloy shackle

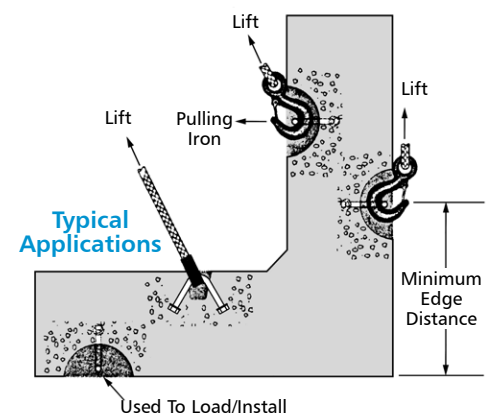
DO NOT use larger hooks or shackles; they will apply additional and unintended loads to the utility anchor and could cause a premature failure of the concrete or anchor.

Anchor Placement

Placement of the Utility Anchor is dependent on the structural shape of the precast element. Utility anchors are not designed for thin edge installation. Always maintain minimum edge distances. For special conditions, contact the nearest Dayton Superior Technical Service Department for assistance.



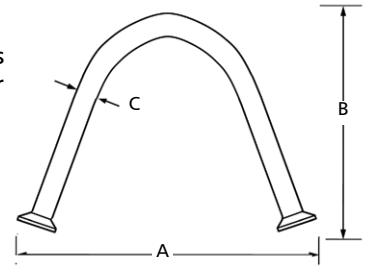
Utility Anchor Lifting System



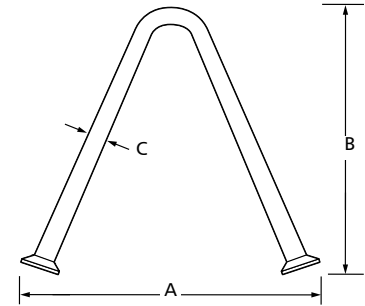
P75 and P75H Utility Anchor®

The Dayton Superior Utility Anchors are available in three diameters and a series of lengths for specific concrete thickness. The utility anchor can be set in either a 90° or a 45° anchor orientation using the appropriate setting plug.

P75 and P75H Utility Anchor						
Anchor	Type	Product Code No.	A	B	C	End Shape
P75	4UA444	121877	5-1/4"	3-1/8"	0.444"	Swift Lift
	5UA444	123442	6"	3-3/4"	0.444"	Swift Lift
	6UA444	121888	7-3/8"	4-3/4"	0.444"	Swift Lift
	5UA671	123441	6-7/16"	3-3/4"	0.671"	Swift Lift
	6UA671	121889	7-3/8"	4-3/4"	0.671"	Swift Lift
	8UA671	121891	9-3/4"	6-3/4"	0.671"	Swift Lift
P75H	12UA875	124738	15-7/8"	11"	0.875"	Swift Lift



P75 Utility Anchor



P75H Utility Anchor

Utility Anchor Lifting System

Anchor	Type	Product Code No.	Minimum Panel Thickness	Safe Working Load Tension 90	Safe Working Load Shear 90	Safe Working Load Tension/Shear 45	Minimum Edge Distance
P75	4UA444	121877	4"	3,200	5,800	2,260	9"
	5UA444	123442	5"	3,860	7,710	2,730	10"
	6UA444	121888	5-5/8"	4,460	9,460	3,150	12"
	5UA671	123441	5"	4,560	8,430	3,220	10"
	6UA671	121889	5-5/8"	7,320	15,780	5,170	12"
	8UA671	121891	7-5/8"	10,830	18,850	7,660	16"
P75H	12UA875	124738	12"	24,000	24,000	24,000	30"

To Order:

Specify: (1) quantity, (2) name, (3) product code.

Example:

200, P75 Utility Anchors, 5UA444.

Note:

- Compressive strength of normal weight concrete to be 4,000 psi at time of initial lift.
- Safe working loads provide an approximate factor of safety of 4 to 1.
- Utility anchors to be installed at 90° to surface of the concrete.
- Shear safe working loads are based on loading in the direction of the top of the precast concrete element.

P75C Utility Anchor® with Clip

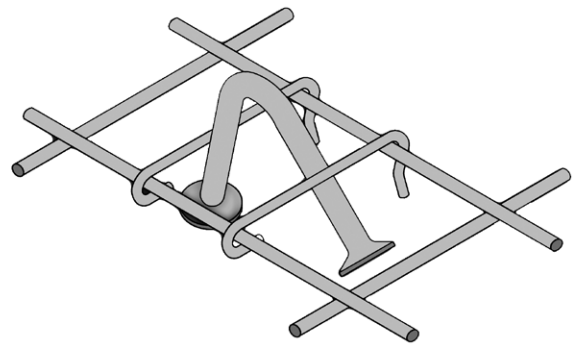
The Dayton Superior Utility Anchor with Clip is designed to allow the Utility Anchor to be secured to the wire mesh cage. This product utilizes the P75 Utility Anchors with 2 wire clips welded to opposite legs of the anchor. These wire clips are positioned to hold the utility anchor with Void to the wire mesh in the proper position in the wall for lifting your precast product. Both the 5UA and 6UA anchors in 0.444 and 0.671 diameters for 9" wire spacing are in stock. Other anchor and wire spacing are readily available.

To Order:

Specify: (1) quantity, (2) name, (3) product code (4) anchor size, (5) wire spacing (6) wall thickness.

Example:

200, P75C, #121443, 5UA444 anchor, 9" wire spacing, 5" wall.



Product Code	Utility Anchor	Wire Clip Lengths	Wall Thickness
123443	5UA444	9"	5"
121890	5UA671	9"	5"
121892	6UA444	9"	6"
121893	6UA671	9"	6"
127446	8UA671	9"	8"