

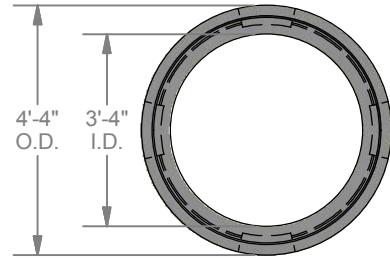
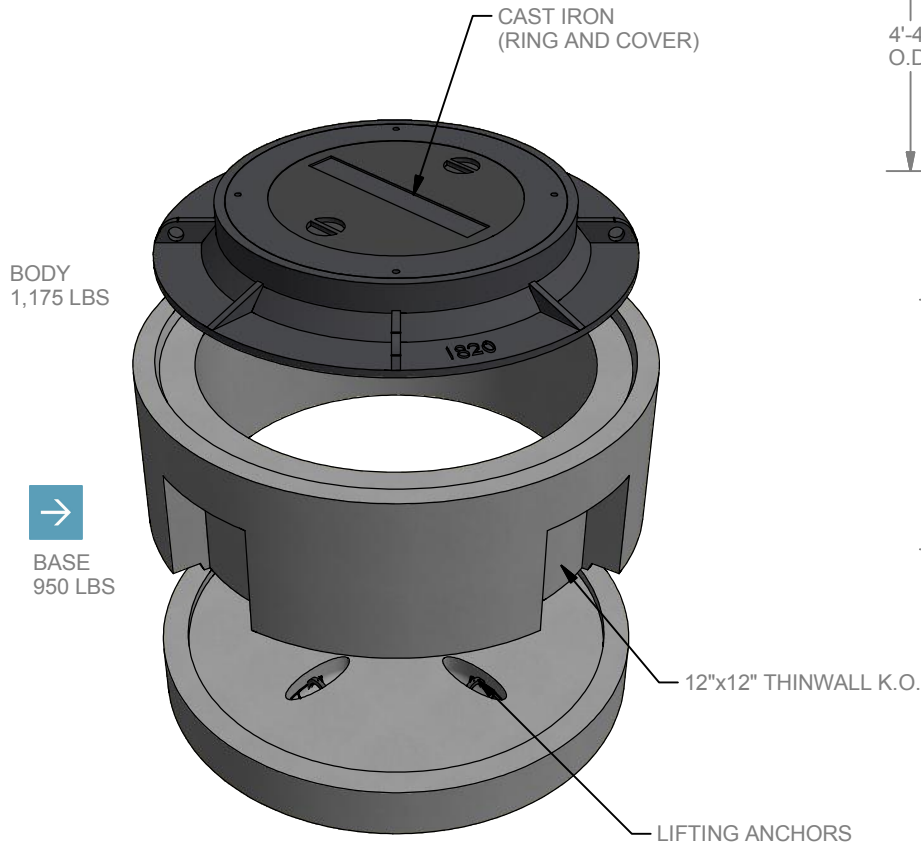


STRUCTURE ID: 103650

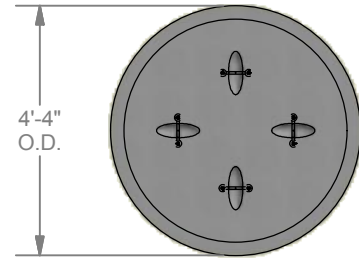
Precast Concrete 40" Dia. x 18"
Fiber Optic Handhole



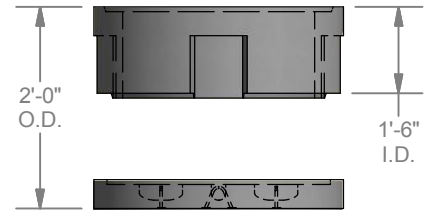
Precast Concrete 40" Dia. x 18" Fiber Optic Handhole :: STRUCTURE ID : 103650



**PLAN VIEW
(BODY)**



**PLAN VIEW
(BASE)**



ELEV. VIEW

STANDARD FIBER OPTIC FEATURES

- Designed for HS-20 Loading
- Thin Wall Knockouts (shown)
- Cast Iron Ring & Cover (shown)
- Pulling Irons Cast Into Floor (shown)

OPTIONAL FIBER OPTIC FEATURES

- Terminators Cast Into Wall in lieu of Thin Wall Knockouts
- Unistrut Cast Into Wall
- Bolt Inserts Cast Into Wall
- Concrete Lid in Place of Cast Iron
- Concrete Collars to Extend Height of Structure

LOCKE
SOLUTIONS

PROUDLY BASED IN
HOUSTON, TEXAS

T : 832-804-7062
F : 832-804-7071
E : info@lockesolutions.com

LOCKESOLUTIONS.COM