

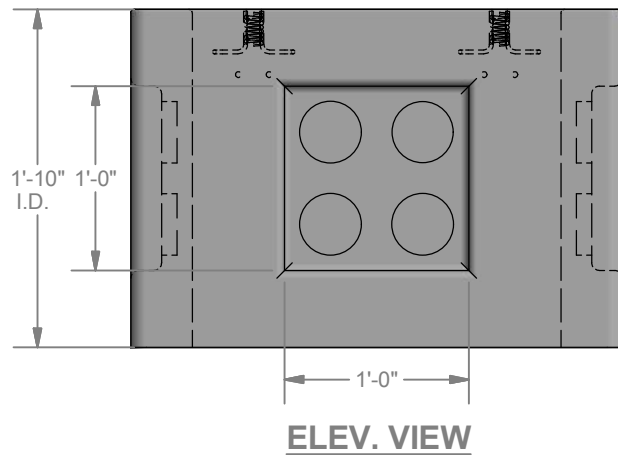
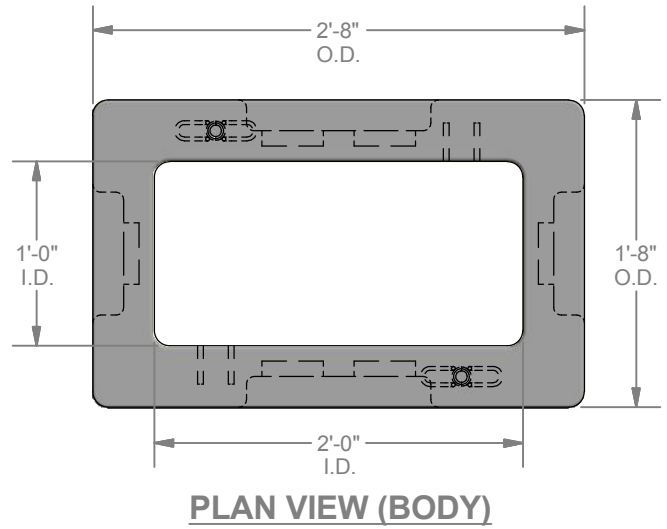
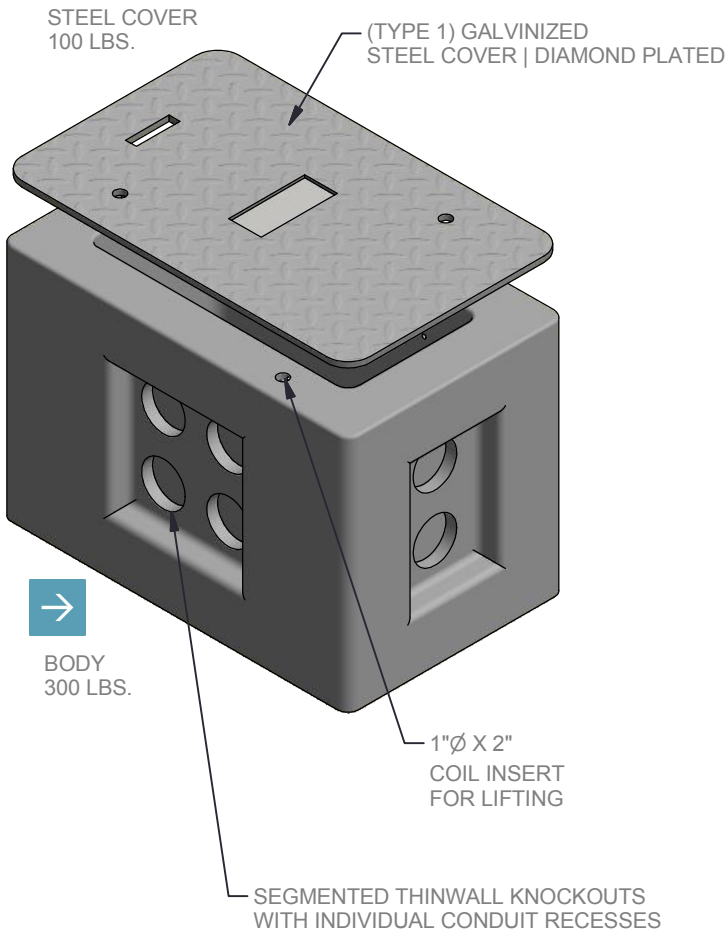


STRUCTURE ID: 200300

1'-0" X 2'-0" X 1'-10"
Electrical Type 1



1'-0" X 2'-0" X 1'-10" Electrical Type 1 ... STRUCTURE ID : 200300



STANDARD GROUND BOX FEATURES

- Designed to TxDOT specifications
- Meets Specifications for Class "A" Concrete
- Steel Cover with Grounding Lug
- Segmented Thin Wall Knockouts (shown)
- Hot Dipped Galvanized Steel Cover (shown)
- Diamond Plate Finish on Cover (shown)
- Smooth Corners for Safe Installation & Quality &...It Just Looks Better!

VARIOUS TAG OPTIONS

- ELEC
- COMM
- CTMS
- DATA
- TRF
- BLANK

LOCKE
SOLUTIONS

PROUDLY BASED IN
HOUSTON, TEXAS

T : 832-804-7062
F : 832-804-7071
E : info@lockesolutions.com

LOCKESOLUTIONS.COM