



STRUCTURE ID: 204100

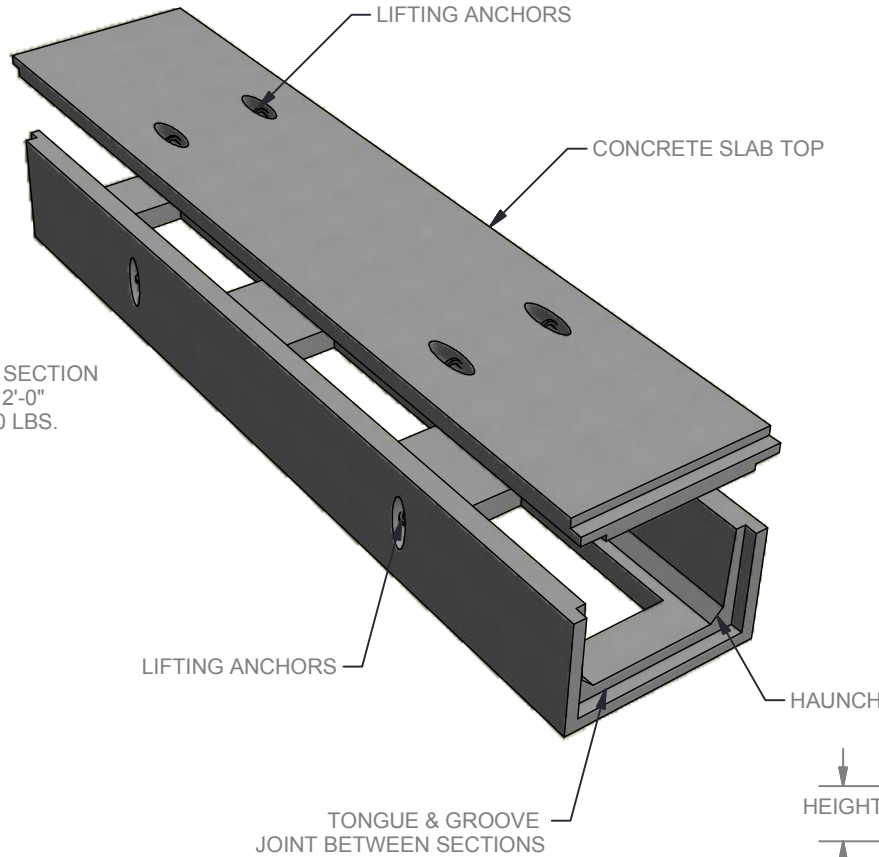
Precast Concrete 2'-0" Wide  
**Electrical Trench**



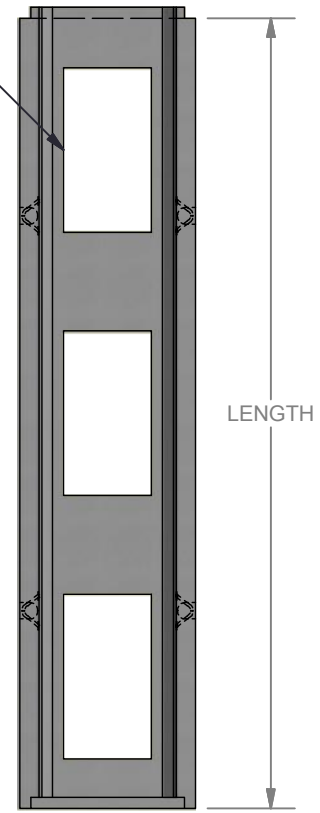
Precast Concrete 2'-0" Wide Electrical Trench ... STRUCTURE ID : 204100

TOP SLAB SECTION  
PER 12'-0"  
~1,490 LBS

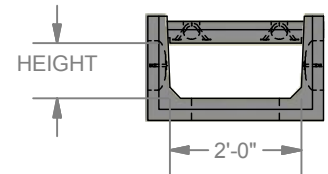
BASE SECTION  
PER 12'-0"  
~2,650 LBS.



BLOCKOUTS AS NEEDED



**PLAN VIEW**



**ELEV. VIEW**

### STANDARD TRENCH FEATURES

- Trench and Cover are Designed for HS-20 Loading (32,000 lbs Axle Load)
- Concrete Compressive Strength of 5,500 PSI at 28 Days
- Minimum of Grade 60 Steel Reinforcing
- Blockouts in Trench Floor to Allow for Drainage
- Tongue & Groove Joint Between Sections
- Butyl Rubber Sealant Provided Between Concrete Cover & Trench
- No Special Lifting Attachments Required- Standard Hooks Only
- Recommend 6" of Crushed Limestone for Base Material
- Install Perforated Pipe Below Trench for Increased Drainage

### TRENCH OPTIONS

- Non-Traffic Rated & Medium Duty Rated Available
- Special Design Trench for Unusually Heavy Loading Conditions Available
- Increase/Decrease of Trench Section as Needed
- Change the Width and Height of Trench as Needed
- Terminators Cast Into Walls/Floor
- Thinwall Knockouts
- Bolt Inserts Cast Into Walls/Floor
- Non-Metallic Racking
- Plastic Coated Racking
- Cast In Grounding Lug
- Galvanized Steel Cover or Grating in lieu of Concrete Cover

**LOCKE**  
SOLUTIONS

PROUDLY BASED IN  
HOUSTON, TEXAS

T : 832-804-7062  
F : 832-804-7071  
E : info@lockesolutions.com

[LOCKESOLUTIONS.COM](http://LOCKESOLUTIONS.COM)

