



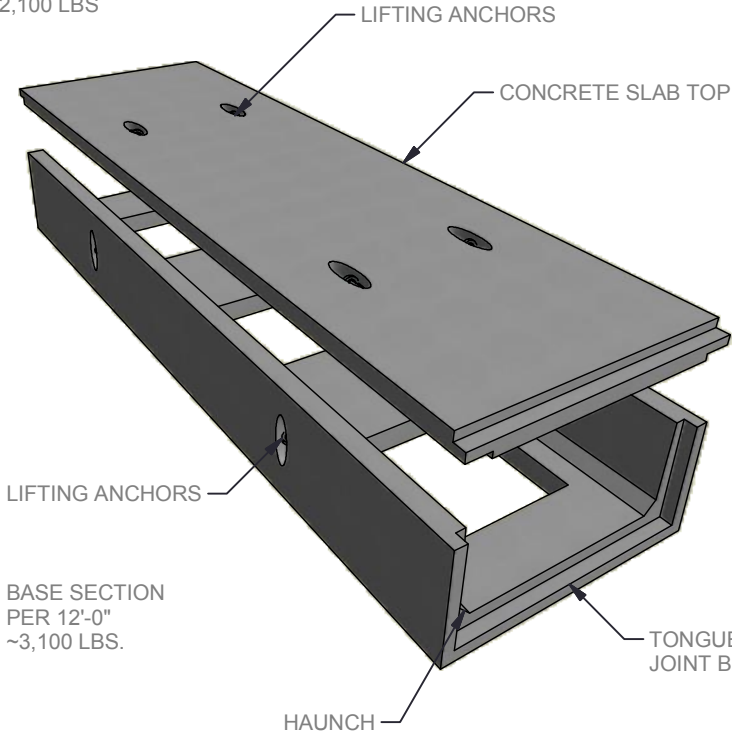
STRUCTURE ID: 204200

Precast Concrete 3'-0" Wide
Electrical Trench



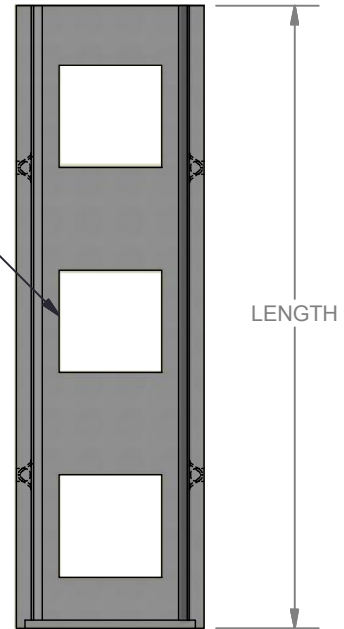
Precast Concrete 3'-0" Wide Electrical Trench ... STRUCTURE ID : 204200

TOP SLAB SECTION
PER 12'-0"
~2,100 LBS

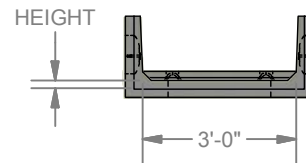


BASE SECTION
PER 12'-0"
~3,100 LBS.

BLOCKOUTS AS
NEEDED



PLAN VIEW



ELEV. VIEW

STANDARD TRENCH FEATURES

- Trench and Cover are Designed for HS-20 Loading (32,000 lbs Axle Load)
- Concrete Compressive Strength of 5,500 PSI at 28 Days
- Minimum of Grade 60 Steel Reinforcing
- Blockouts in Trench Floor to Allow for Drainage
- Tongue & Groove Joint Between Sections
- Butyl Rubber Sealant Provided Between Concrete Cover & Trench
- No Special Lifting Attachments Required- Standard Hooks Only
- Recommend 6" of Crushed Limestone for Base Material
- Install Perforated Pipe Below Trench for Increased Drainage

TRENCH OPTIONS

- Non-Traffic Rated & Medium Duty Rated Available
- Special Design Trench for Unusually Heavy Loading Conditions Available
- Increase/Decrease of Trench Section as Needed
- Change the Width and Height of Trench as Needed
- Terminators Cast Into Walls/Floor
- Thinwall Knockouts
- Bolt Inserts Cast Into Walls/Floor
- Non-Metallic Racking
- Plastic Coated RACKING
- Cast In Grounding Lug
- Galvanized Steel Cover or Grating in lieu of Concrete Cover

LOCKE
SOLUTIONS

PROUDLY BASED IN
HOUSTON, TEXAS

T : 832-804-7062
F : 832-804-7071
E : info@lockesolutions.com

LOCKESOLUTIONS.COM

