

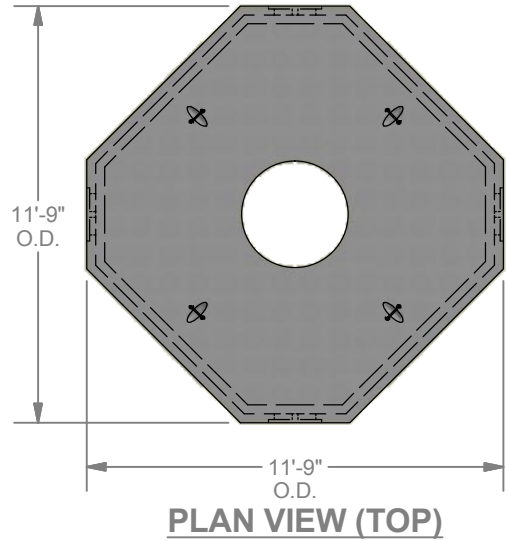
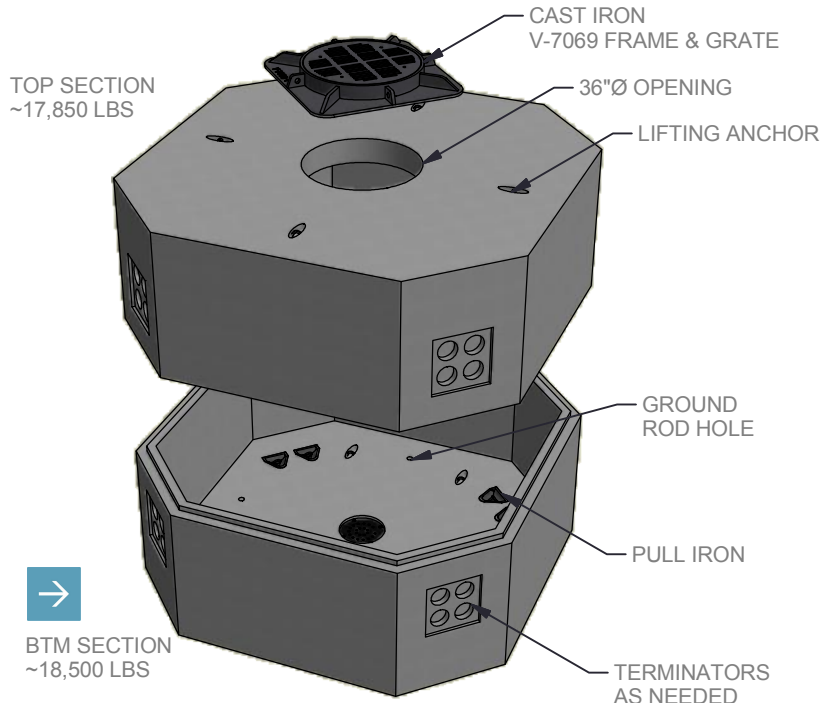


STRUCTURE ID: 400600

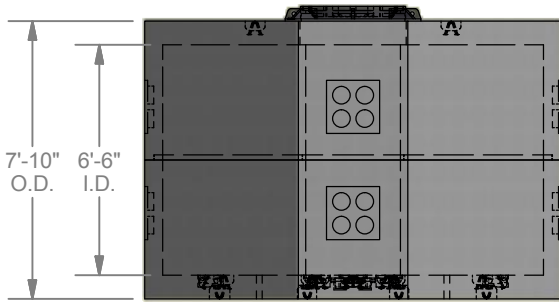
Precast Concrete Manhole 10'-9" X 10'-9" X 6'-6" CenterPoint Energy Small 4 Way



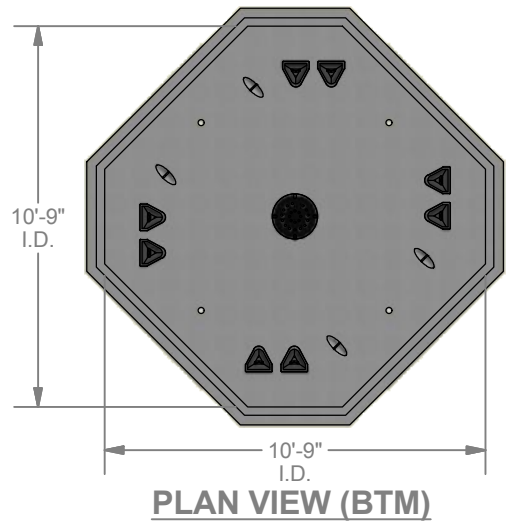
Precast Concrete Manhole 10'-9" X 10'-9" X 6'-6" CenterPoint Energy Small 4 Way :: STRUCTURE ID : 400600



BTM SECTION
~18,500 LBS



ELEV. VIEW



PLAN VIEW (BTM)

STANDARD MANHOLE FEATURES

- Designed for HS-20 Loading (2' to 9' of Overburden)
- Terminators Cast In Walls as Needed (shown)
- Pull Irons Cast In Floor (shown)
- 12" Ø Plastic Sump in Floor (shown)
- 2" Ø Ground Hole in Floor (shown)
- Cast Iron Frame & Grate (V-7069) (shown)

APPROVED SUPPLIER FOR



LOCKE
SOLUTIONS

PROUDLY BASED IN
HOUSTON, TEXAS

T : 832-804-7062
F : 832-804-7071
E : info@lockesolutions.com

LOCKESOLUTIONS.COM