

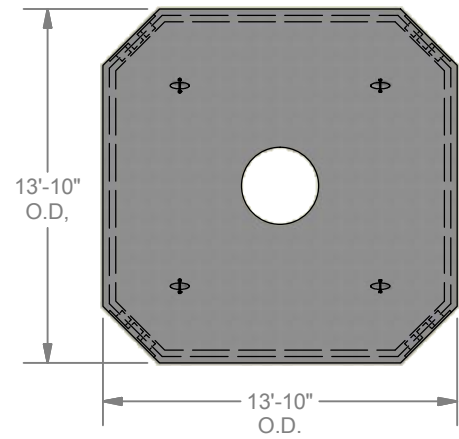
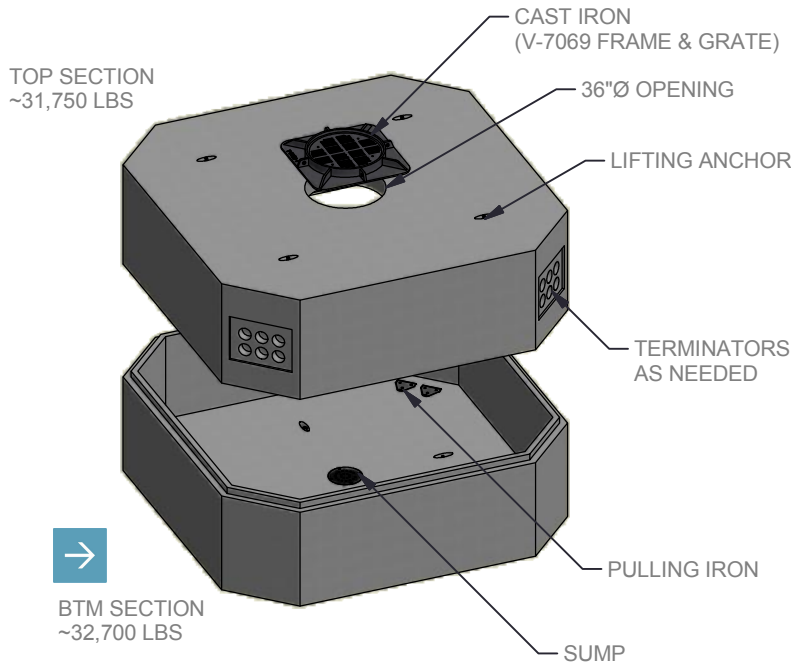


STRUCTURE ID: 400700

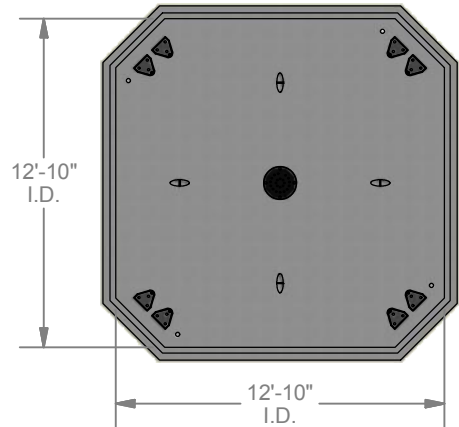
# Precast Concrete Manhole 12'-10" X 12'-10" X 6'-9" CenterPoint Energy Large 4 Way



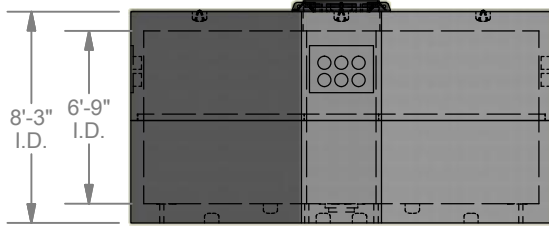
Precast Concrete Manhole 12'-10" X 12'-10" X 6'-9" CenterPoint Energy Large 4 Way :: STRUCTURE ID : 400700



**PLAN VIEW (TOP)**



**PLAN VIEW (BTM)**



**ELEV. VIEW**

### STANDARD MANHOLE FEATURES

- Designed for HS-20 Loading (2' to 9' of Overburden)
- Terminators Cast In Walls as Needed (shown)
- Pull Irons Cast In Floor (shown)
- 12" Ø Plastic Sump in Floor (shown)
- 2" Ø Ground Hole in Floor (shown)
- Cast Iron Frame & Grate (V-7069) (shown)

### APPROVED SUPPLIER FOR



**LOCKE**  
SOLUTIONS

PROUDLY BASED IN  
HOUSTON, TEXAS

T : 832-804-7062  
F : 832-804-7071  
E : info@lockesolutions.com

[LOCKESOLUTIONS.COM](http://LOCKESOLUTIONS.COM)