

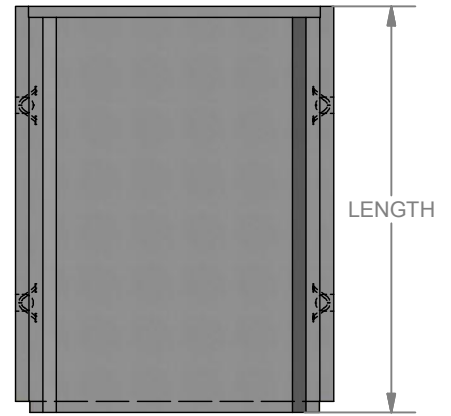
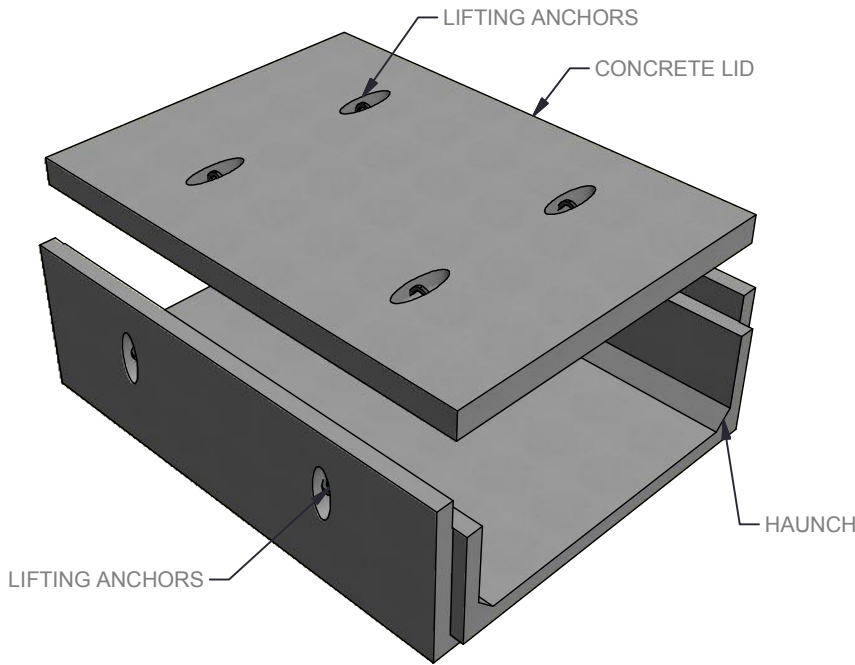


STRUCTURE ID: 401100

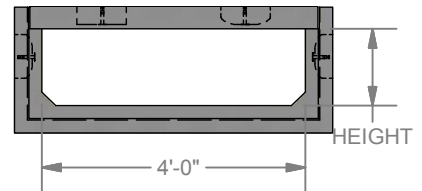
Precast Concrete 4'-0" Wide
Power Trench



Precast Concrete 4'-0" Wide Power Trench ... STRUCTURE ID : 401100



PLAN VIEW (BODY)



ELEV. VIEW

STANDARD TRENCH FEATURES

- Trench and Cover are Designed for HS-20 Loading (32,000 lbs Axle Load)
- Concrete Cover (shown)
- Threaded Bolt Inserts Cast In Wall for Mounting Equipment (shown)
- Cable Tray Slots in Walls as Needed (shown)
- Cast In Pipe as Needed (shown)
- Chamfered Edges for Safe Installation & Quality

TRENCH OPTIONS

- Unistrut Cast Into Walls
- Terminators Cast Into Walls
- Thinwall Knockouts
- Non-Metallic Racking
- Plastic Coated Racking
- Cast In Grounding Lug
- Galvanized Steel Cover or Grating in lieu of Concrete Cover

LOCKE
SOLUTIONS

PROUDLY BASED IN
HOUSTON, TEXAS

T : 832-804-7062
F : 832-804-7071
E : info@lockesolutions.com

LOCKESOLUTIONS.COM

