



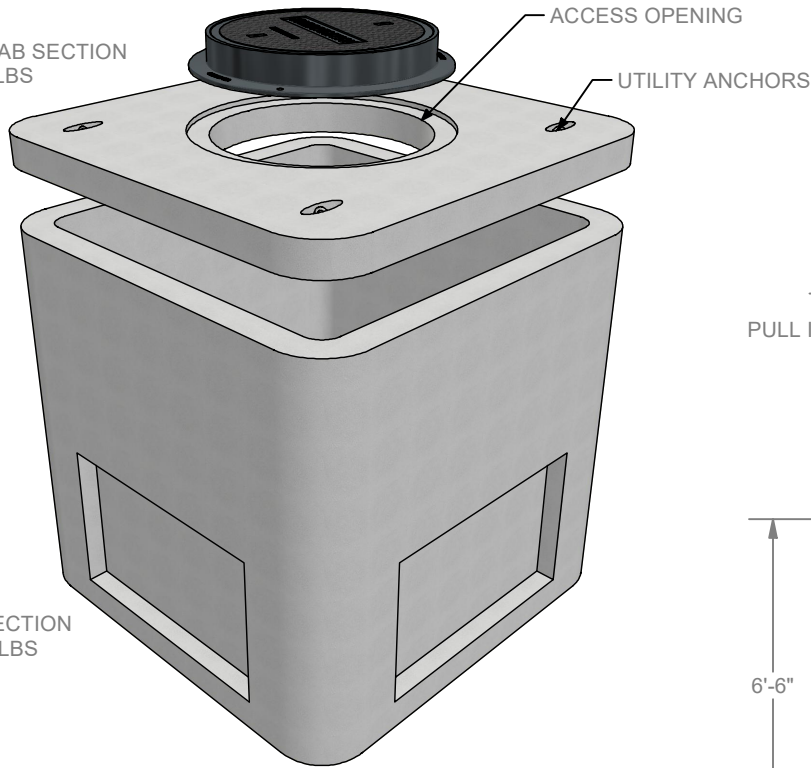
STRUCTURE ID: 202300

Precast Concrete 6'-0" X 6'-0" X 6'-0"  
Electrical Manhole

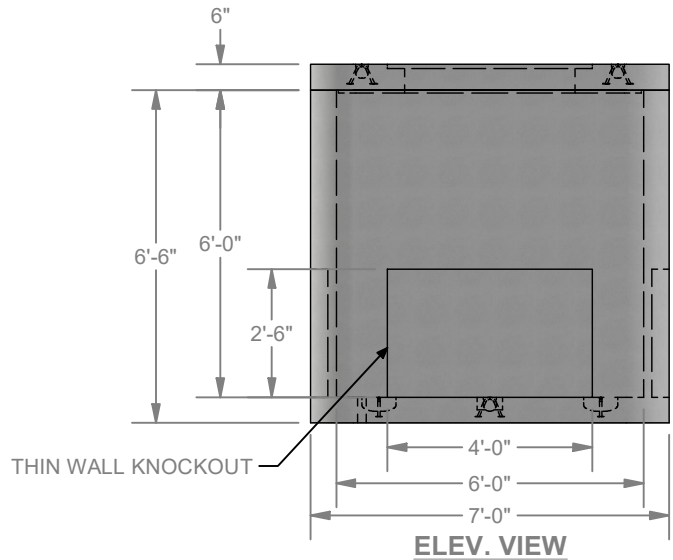
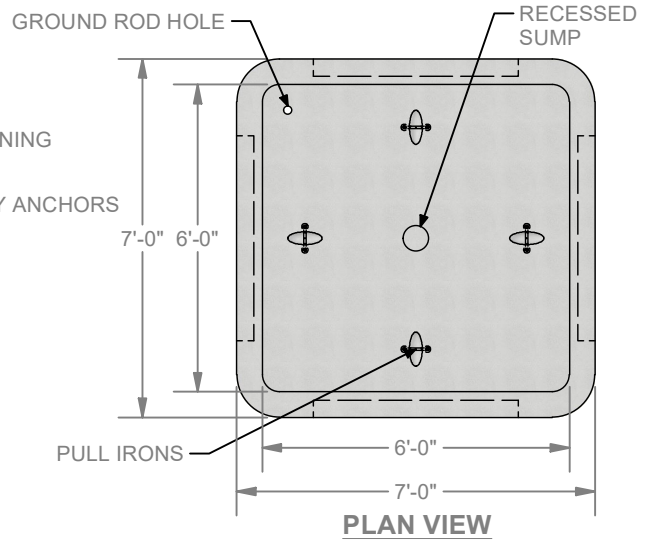


Precast Concrete 6'-0" X 6'-0" X 6'-0" Electrical Manhole :: STRUCTURE ID : 202300

TOP SLAB SECTION  
~3,400 LBS



BASE SECTION  
~12,850 LBS



### STANDARD MANHOLE FEATURES

- Designed for HS-20 Loading
- Steel Reinforced Precast Concrete
- Thin Wall Knockouts (shown)
- Pull Irons Cast-In Floor (shown)
- Ø6" X 2" Recessed Sump in Floor (shown)
- Ø2" Ground Rod Hole in Floor (shown)
- Concrete Slab Top with Cast Iron Ring & Cover (shown)
- Smooth Corners for Safe Installation & Quality &... **It Just Looks Better!**

### MANHOLE OPTIONS

- Unistrut Cast Into Wall for Racking in lieu of Bolt Inserts
- Terminators Cast Into Wall in lieu of Thin Wall Knockouts
- Non-Metallic Racking
- Plastic Coated Racking
- Cast-In Grounding Lug
- Pull Irons - Add or Change Locations
- Aluminum L1d in lieu of Galvanized Steel Lid
- Divider Plate for Multi-Purpose Boxes
- Ø12" x 4" Plastic Sump

**LOCKE**  
SOLUTIONS

PROUDLY BASED IN  
HOUSTON, TEXAS

T : 832-804-7062  
F : 832-804-7071  
E : info@lockesolutions.com

[LOCKESOLUTIONS.COM](http://LOCKESOLUTIONS.COM)