



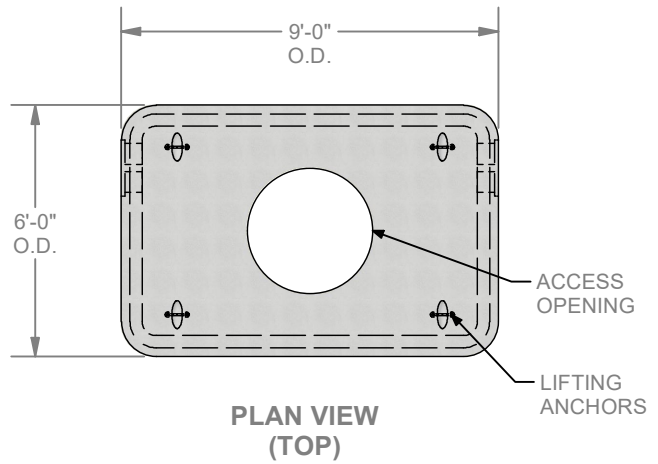
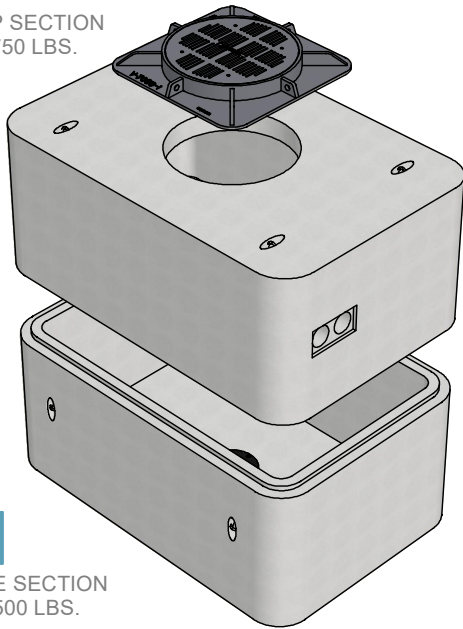
STRUCTURE ID: 400100

Precast Concrete 5'-0" X 8'-0" X 6'-6"
CenterPoint Energy 5X8 Manhole

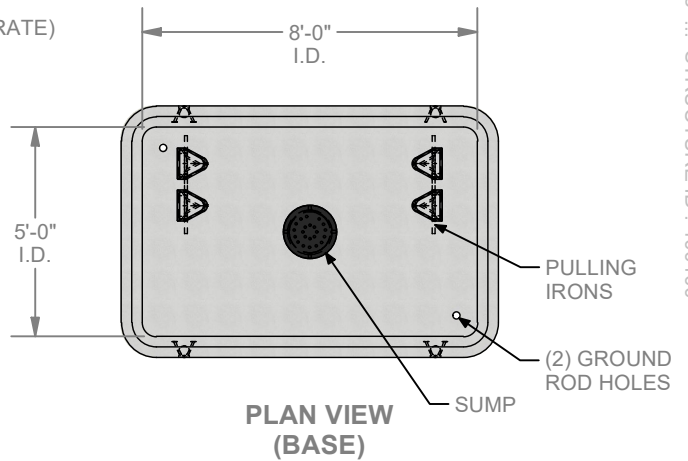
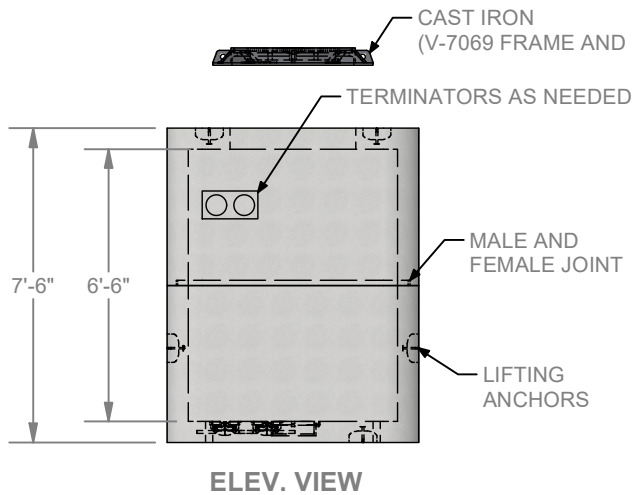


Precast Concrete 5'-0" X 8'-0" X 6'-6" CenterPoint Energy 5X8 Manhole :: STRUCTURE ID : 400100

TOP SECTION
~9,750 LBS.



BASE SECTION
~10,500 LBS.



STANDARD MANHOLE FEATURES

- Designed for HS-20 Loading (2' to 9' of Overburden)
- Terminators Cast-In Walls as Needed (shown)
- Pull Irons Cast-In Floor (shown)
- Ø12" X 4" Deep Plastic Sump (shown)
- Ø2" Ground Rod Hole in Floor (shown)
- Cast Iron Frame & Grate (V-7069)
- All Weights Calculated with Solid Walls (Weights May Vary)

APPROVED SUPPLIER FOR



LOCKE
SOLUTIONS

PROUDLY BASED IN
HOUSTON, TEXAS

T : 832-804-7062
F : 832-804-7071
E : info@lockesolutions.com

LOCKESOLUTIONS.COM