

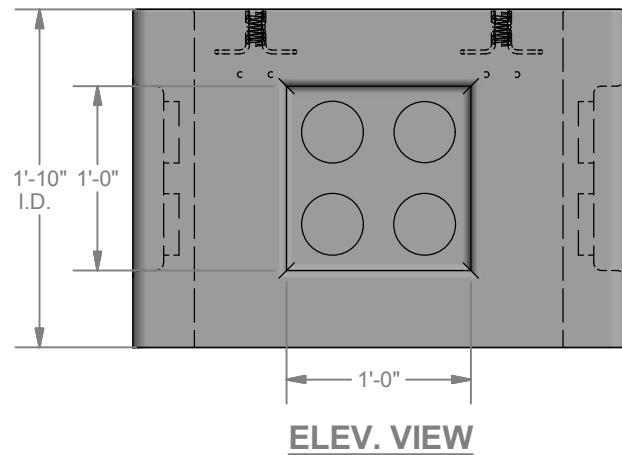
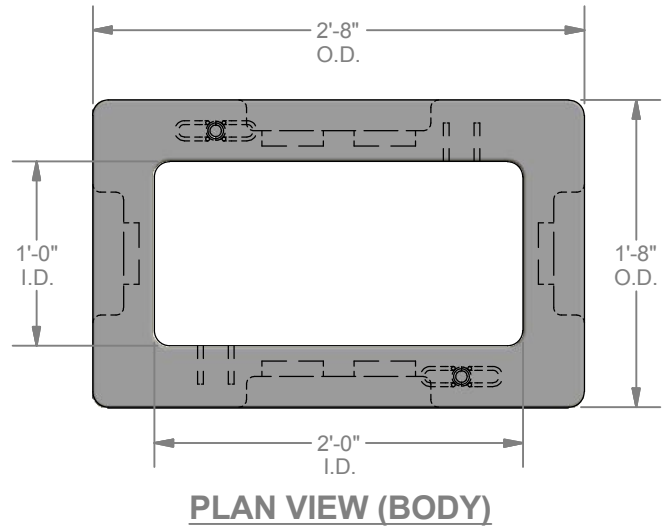
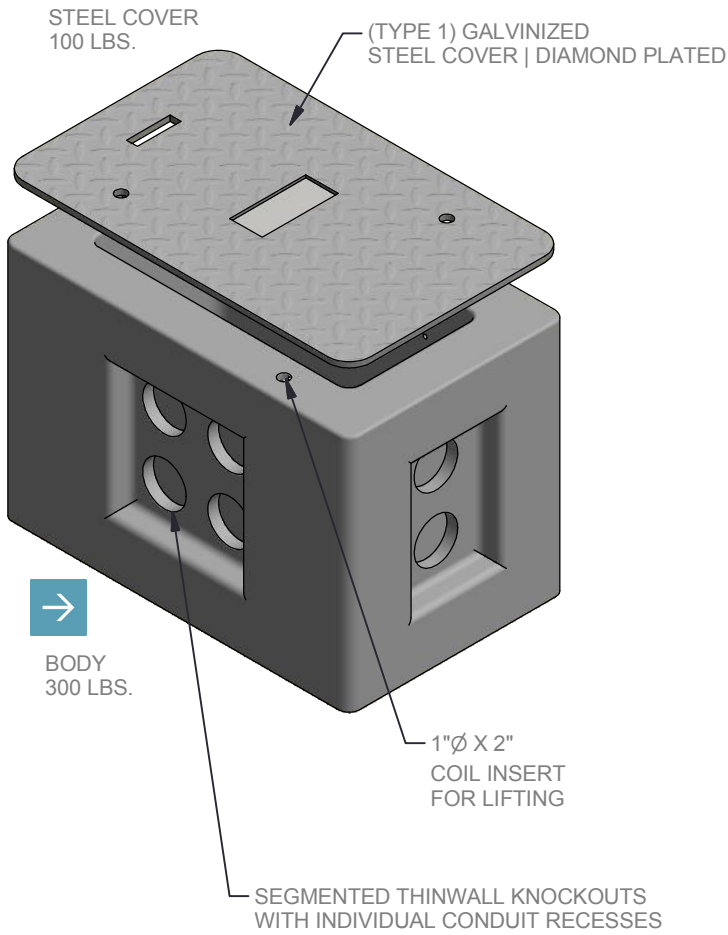


STRUCTURE ID: 100300

Precast Concrete Ground Box 1'-0" X 2'-0" X 1'-10"  
**Communication Type 1**



Precast Concrete Ground Box 1'-0" X 2'-0" X 1'-10" Communication Type 1 :: STRUCTURE ID : 100300



### STANDARD GROUND BOX FEATURES

- Designed to TxDOT specifications
- Meets Specifications for Class "A" Concrete
- Steel Cover with Grounding Lug
- Segmented Thin Wall Knockouts (shown)
- Hot Dipped Galvanized Steel Cover (shown)
- Diamond Plate Finish on Cover (shown)
- Smooth Corners for Safe Installation & Quality &...It Just Looks Better!

### VARIOUS TAG OPTIONS

- ELEC
- COMM
- CTMS
- DATA
- TRF
- BLANK

**LOCKE**  
SOLUTIONS

PROUDLY BASED IN  
HOUSTON, TEXAS

T : 832-804-7062  
F : 832-804-7071  
E : info@lockesolutions.com

LOCKESOLUTIONS.COM