

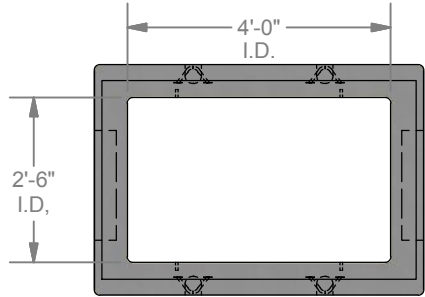
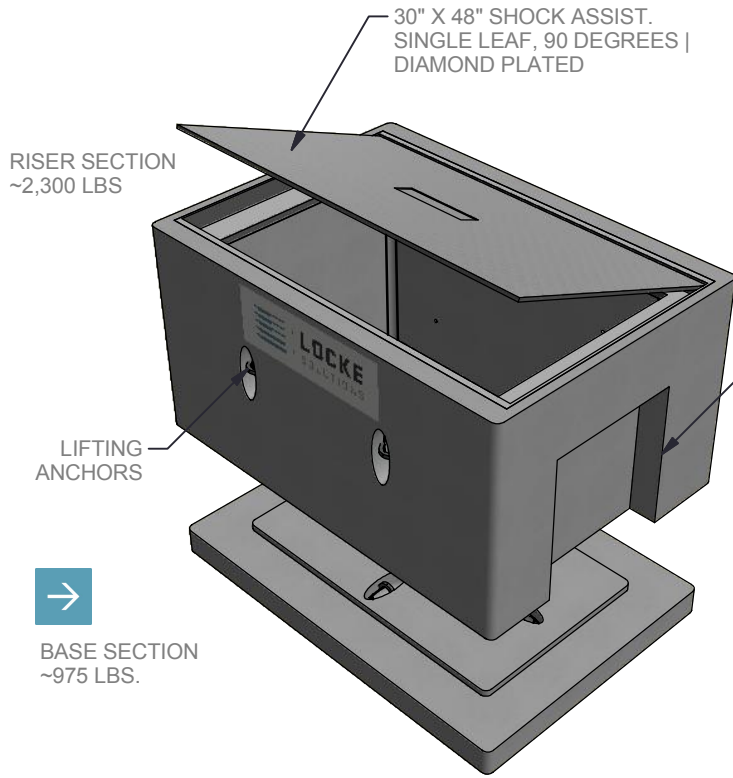


STRUCTURE ID: 100950

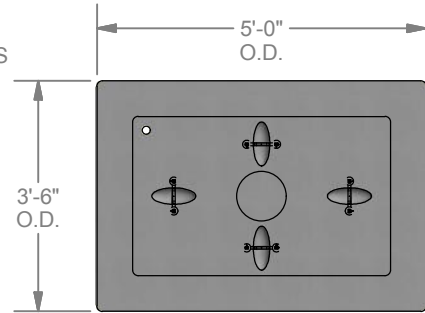
# Precast Concrete 2'-6" X 4'-0" X 2'-6" Communication Pull Box



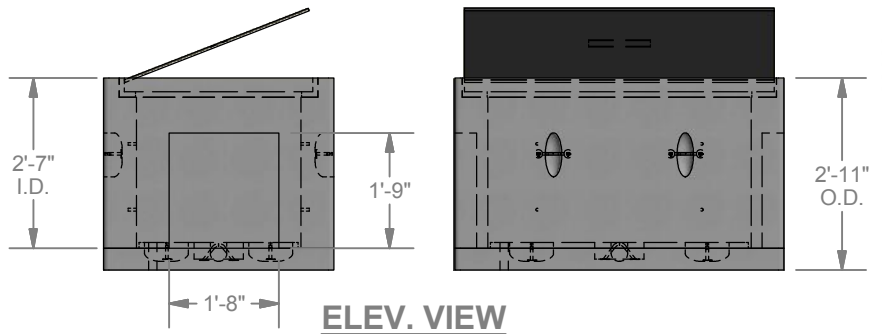
Precast Concrete 2'-6" X 4'-0" X 2'-6" Communication Pull Box :: STRUCTURE ID : 100950



**PLAN VIEW (BODY)**



**PLAN VIEW (BASE)**



**ELEV. VIEW**

### STANDARD PULL BOX FEATURES

- Designed for HS-20 Loading
- Thin Wall Knockouts (shown)
- Pull Irons Cast In Floor (shown)
- 6" Ø Recessed Sump in Floor (shown)
- 2" Ø Ground Hole in Floor (shown)
- Shock Assist Cover
- Smooth Corners for Safe Installation & Quality & **It Just Looks Better!**

### PULL BOX OPTIONS

- Unistrut Cast Into Wall for Racking in lieu of Bolt Inserts
- Terminators Cast Into Wall in lieu of Thin Wall Recess
- Non-Metallic Racking
- Plastic Coated Racking
- Cast In Grounding Lug
- Pull Irons - Add or Change Locations
- Divider Plate for Multi-Purpose Boxes

**LOCKE**  
SOLUTIONS

PROUDLY BASED IN  
HOUSTON, TEXAS

T : 832-804-7062  
F : 832-804-7071  
E : info@lockesolutions.com

[LOCKESOLUTIONS.COM](http://LOCKESOLUTIONS.COM)