

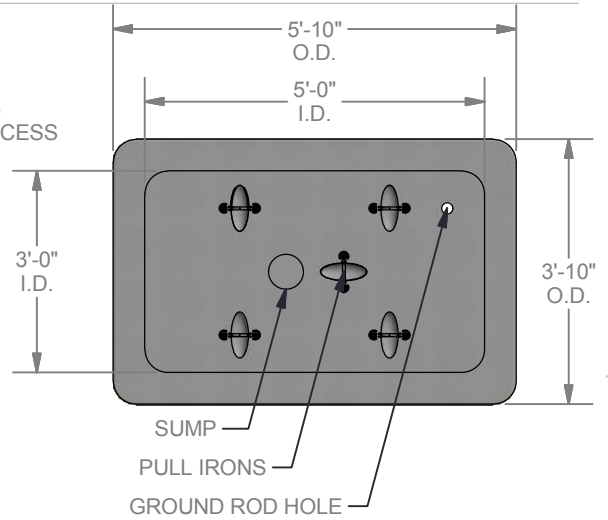
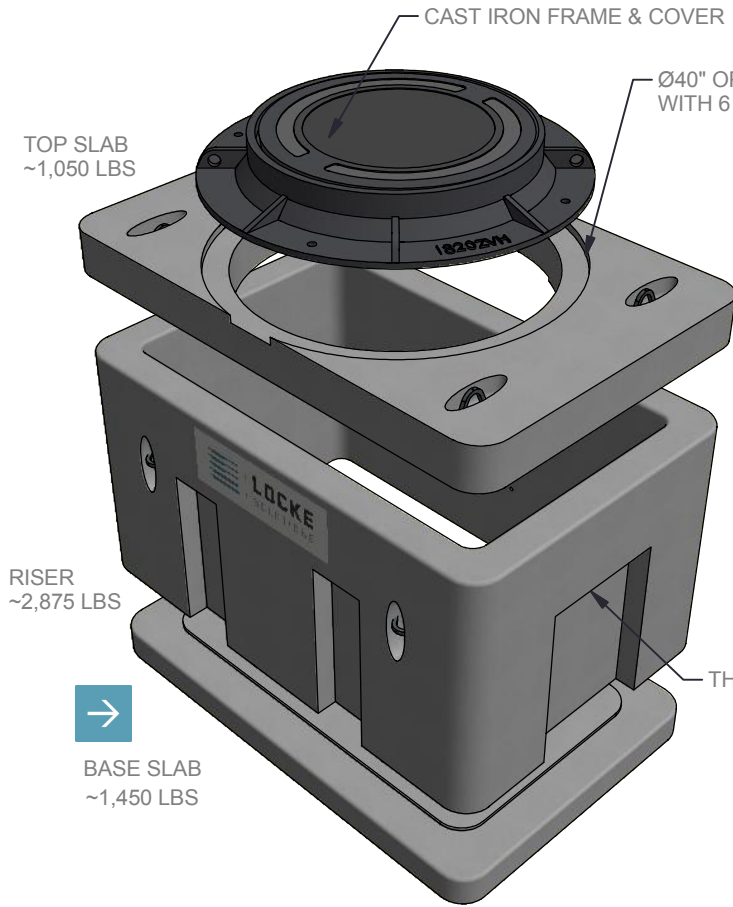


STRUCTURE ID: 101302

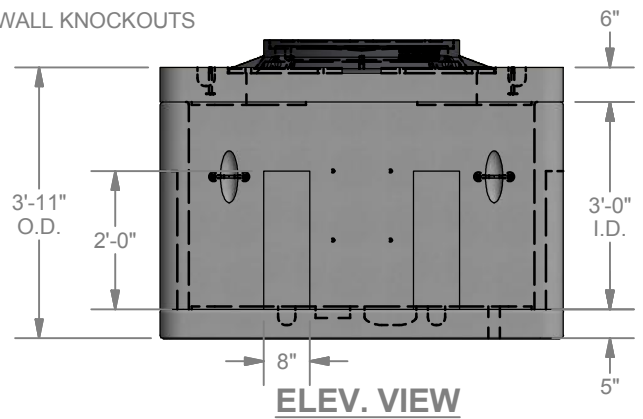
3'-0" X 5'-0" X 3'-0"
Communication Splice Box



3'-0" X 5'-0" X 3'-0" Communication Splice Box :: STRUCTURE ID : 101310



PLAN VIEW (FLOOR)



ELEV. VIEW

STANDARD SPLICE BOX FEATURES

- Designed for HS-20 Loading
- Thin Wall Knockouts for Easy Cable Splicing (shown)
- Pull Irons Cast In Floor (shown)
- 6" Ø Recessed Sump in Floor (shown)
- 2" Ø Ground Hole in Floor (shown)
- Heavy Duty Cast Iron Frame and Cover (shown)
- Smooth Corners for Safe Installation & Quality &...It Just Looks Better!

SPLICE BOX OPTIONS

- Unistrut Cast Into Wall for Racking in lieu of Bolt Inserts
- Terminators Cast Into Wall in lieu of Thin Wall Recess
- Non-Metallic Racking
- Plastic Coated Racking
- Cast In Grounding Lug
- Pull Irons - Add or Change Locations
- Divider Plate for Multi-Purpose Boxes

LOCKE
SOLUTIONS

PROUDLY BASED IN
HOUSTON, TEXAS

T : 832-804-7062
F : 832-804-7071
E : info@lockesolutions.com

LOCKESOLUTIONS.COM