

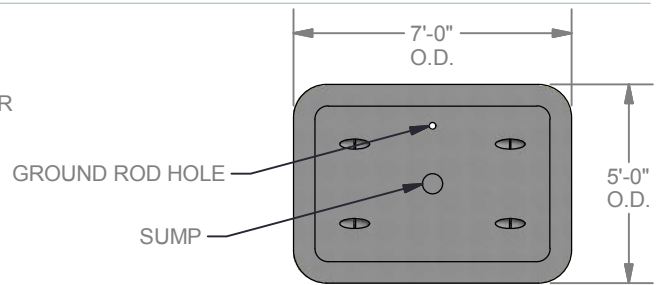
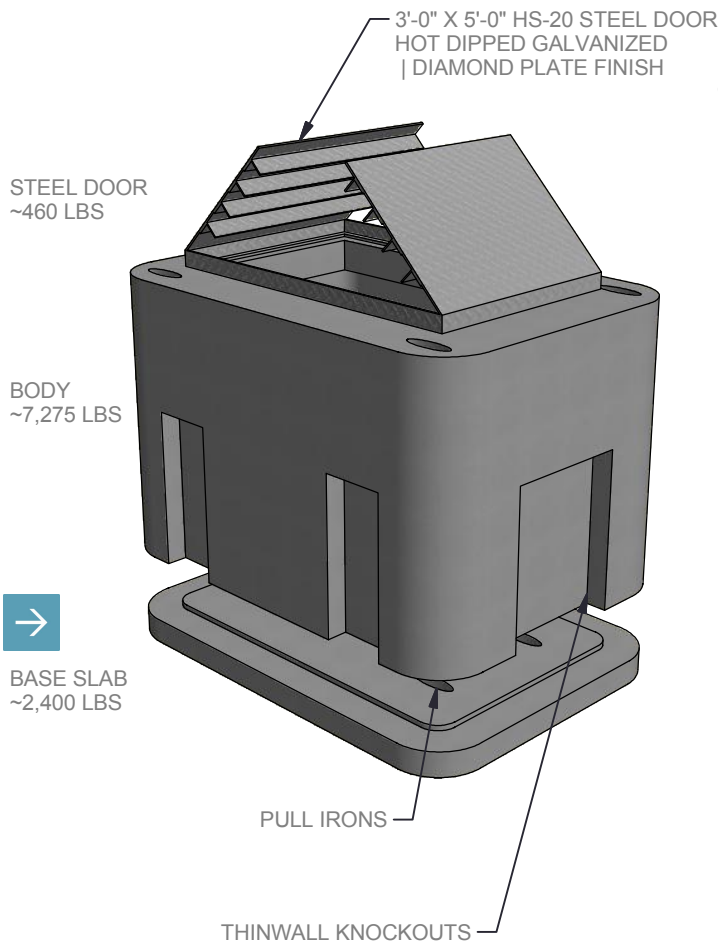


STRUCTURE ID: 101801

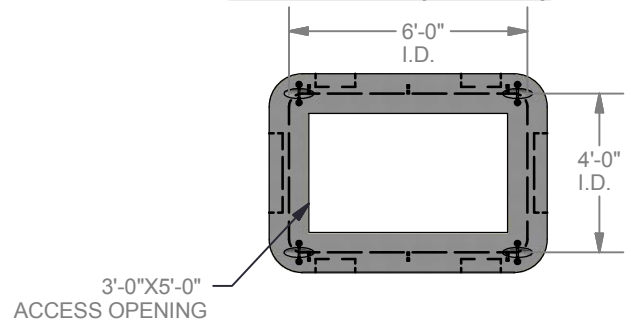
Precast Concrete 4'-0" X 6'-0" X 4'-0" Communication Splice Box



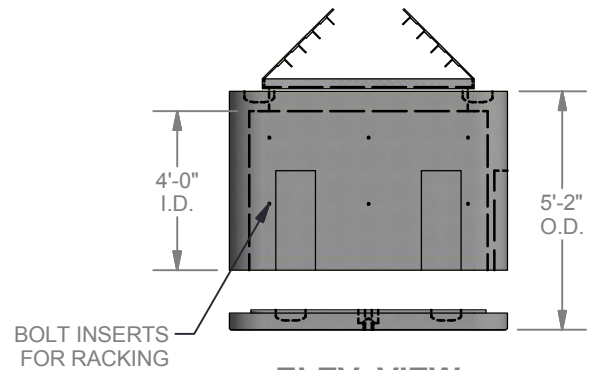
Precast Concrete 4'-0" X 6'-0" X 4'-0" Communication Splice Box :: STRUCTURE ID : 101801



PLAN VIEW (FLOOR)



PLAN VIEW (TOP)



ELEV. VIEW

STANDARD SPLICE BOX FEATURES

- Designed for HS-20 Loading
- Thin Wall Knockouts for Easy Cable Splicing (shown)
- Pull Irons Cast In Floor (shown)
- 6" Ø Sump Recess in Floor (shown)
- 2" Ø Ground Hole in Floor (shown)
- Hot Dipped Galvanized Steel Cover (shown)
- Diamond Plate Finish on Cover (shown)
- Smooth Corners for Safe Installation & Quality &...It Just Looks Better!

SPLICE BOX OPTIONS

- Unistrut Cast Into Wall for Racking in lieu of Bolt Inserts
- Terminators Cast Into Wall in lieu of Thin Wall Recess
- Non-Metallic Racking
- Plastic Coated Racking
- Cast In Grounding Lug
- Pull Irons - Add or Change Locations
- Black Painted Steel Door in lieu of Hot Dipped Galvanized
- Aluminum Lld in lieu of Hot Dipped Galvanized
- Divider Plate for Multi-Purpose Boxes

LOCKE
SOLUTIONS

PROUDLY BASED IN
HOUSTON, TEXAS

T : 832-804-7062
F : 832-804-7071
E : info@lockesolutions.com

LOCKESOLUTIONS.COM