

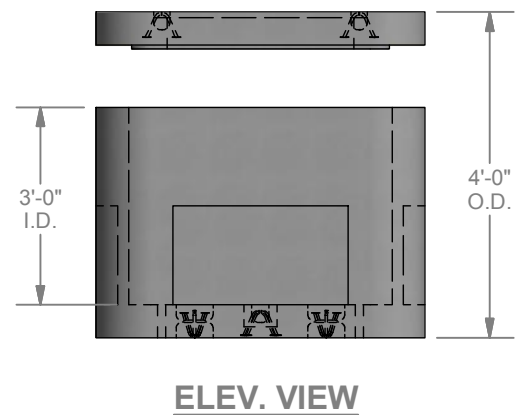
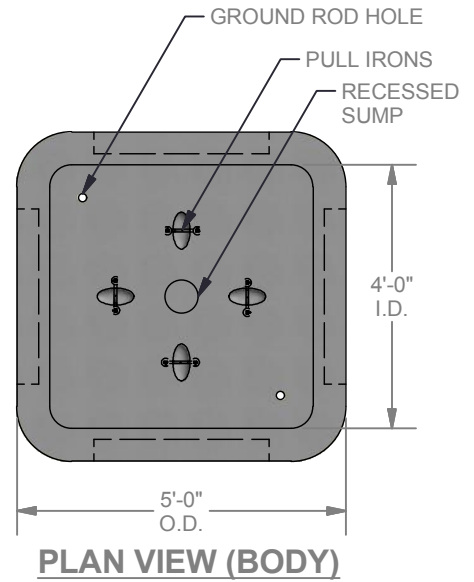
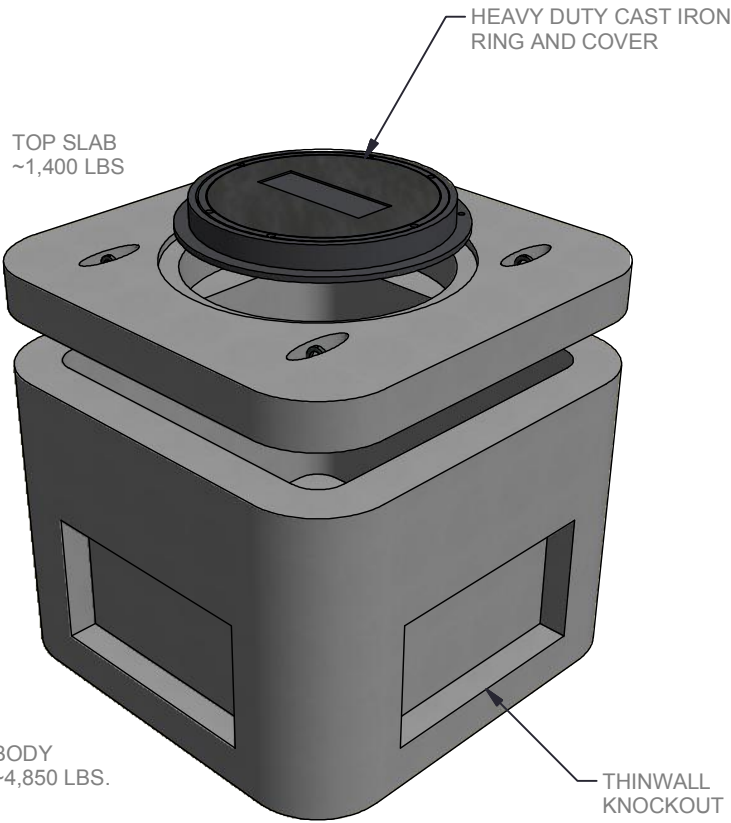


STRUCTURE ID: 102080

Precast Concrete 4'-0" X 4'-0" X 3'-0"  
**Communication Manhole**



Precast Concrete 4'-0" X 4'-0" X 3'-0" Communication Manhole :: STRUCTURE ID : 102080



### STANDARD MANHOLE FEATURES

- Designed for HS-20 Loading
- Steel Reinforced Precast Concrete
- Thin Wall Knockouts (shown)
- Pull Irons Cast In Floor (shown)
- 6" Ø Recessed Sump in Floor (shown)
- 2" Ø Ground Hole in Floor (shown)
- Concrete Slab Top with Cast Iron Ring & Cover (shown)
- Smooth Corners for Safe Installation & Quality **& It Just Looks Better!**

### MANHOLE OPTIONS

- Unistrut Cast Into Wall for Racking in lieu of Bolt Inserts
- Terminators Cast Into Wall in lieu of Thin Wall Recess
- Non-Metallic Racking
- Plastic Coated Racking
- Cast In Grounding Lug
- Pull Irons - Add or Change Locations
- Aluminum Lid in lieu of Galvanized Steel Lid
- Divider Plate for Multi-Purpose Boxes

**LOCKE**  
SOLUTIONS

PROUDLY BASED IN  
HOUSTON, TEXAS

T : 832-804-7062  
F : 832-804-7071  
E : info@lockesolutions.com

[LOCKESOLUTIONS.COM](http://LOCKESOLUTIONS.COM)