

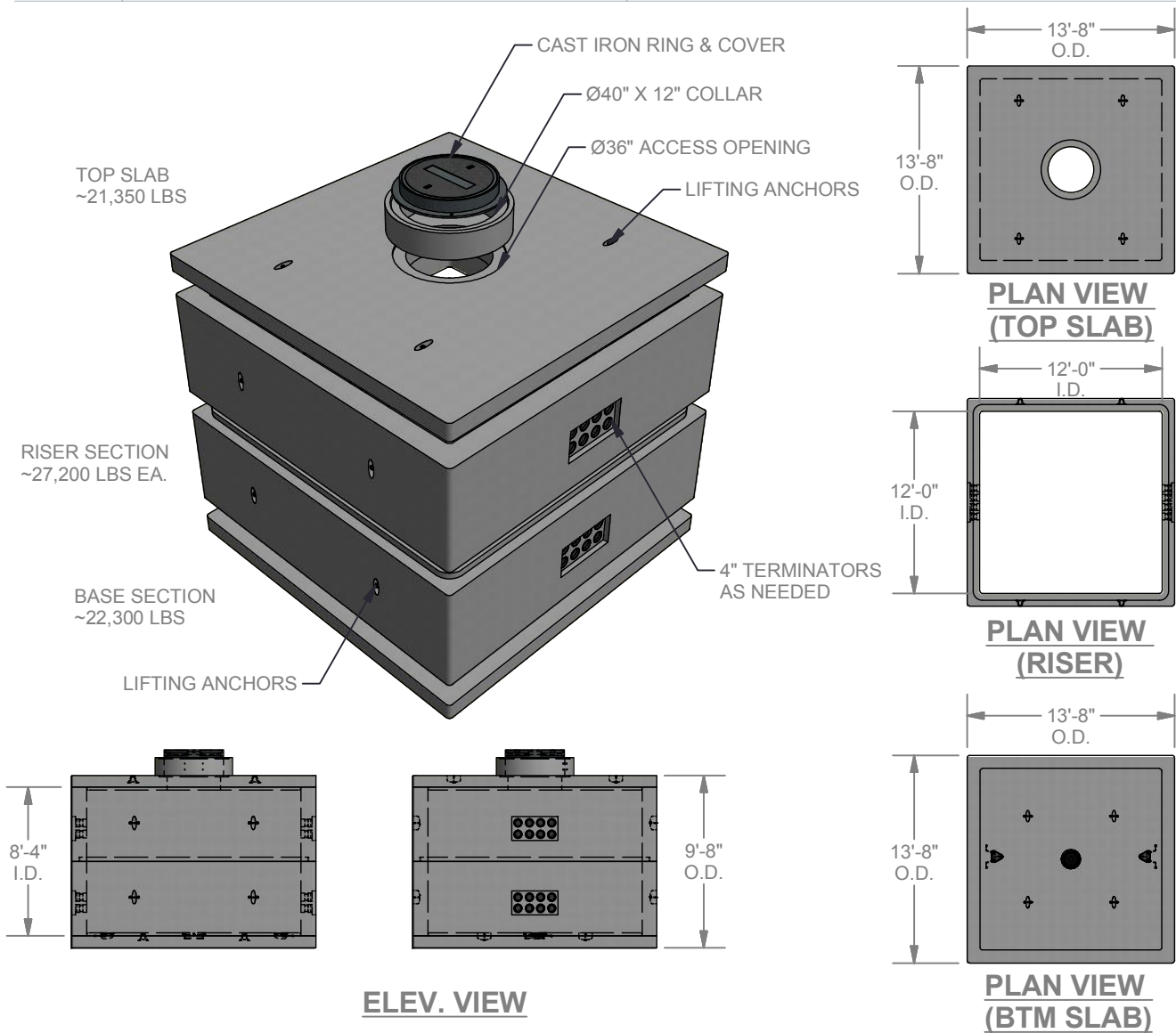


STRUCTURE ID: 203800

Precast Concrete 12'-0" X 12'-0" X 8'-4"
Electrical Manhole



Precast Concrete 12'-0" X 12'-0" X 8'-4" Electrical Manhole :: STRUCTURE ID : 203800



STANDARD MANHOLES FEATURES

- Designed for HS-20 Loading
- Terminators Cast In Walls As Needed (shown)
- Pull Irons Cast In Floor (shown)
- 12" Ø Plastic Sump Cast in Floor (shown)
- Cast Iron Ring and Cover (shown)
- Smooth Corners for Safe Installation & Quality & **It Just Looks Better!**

MANHOLE OPTIONS

- Unistrut Cast Into Wall for Racking
- Thinwall Knockouts in lieu of Terminators
- Non-Metallic Racking
- Plastic Coated Racking
- Cast In Grounding Lug
- Pull Irons - Add or Change Locations
- Aluminum Lid in lieu of Cast Iron
- Galvanized Steel Lid in lieu of Cast Iron
- Divider Plate for Multi-Purpose Boxes

LOCKE
SOLUTIONS

PROUDLY BASED IN
HOUSTON, TEXAS

T : 832-804-7062
F : 832-804-7071
E : info@lockesolutions.com

LOCKESOLUTIONS.COM