

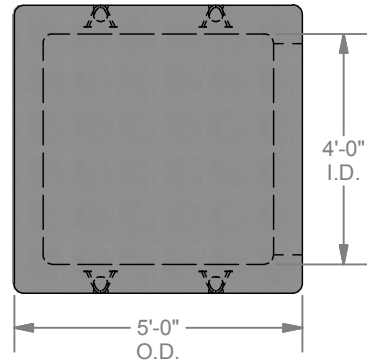
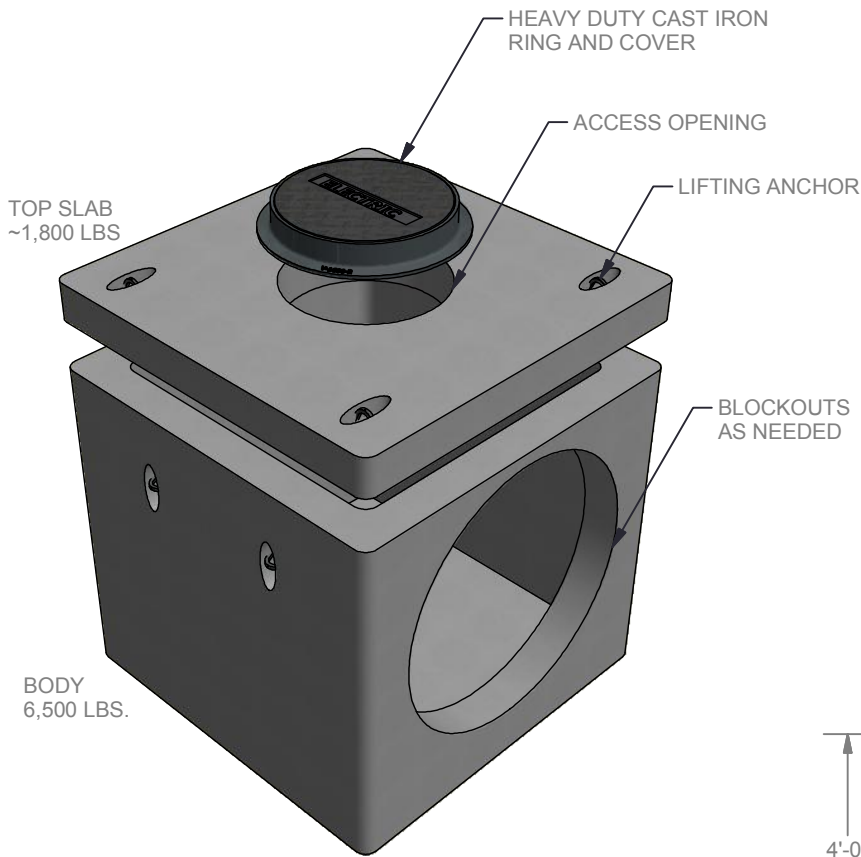


STRUCTURE ID: 300501

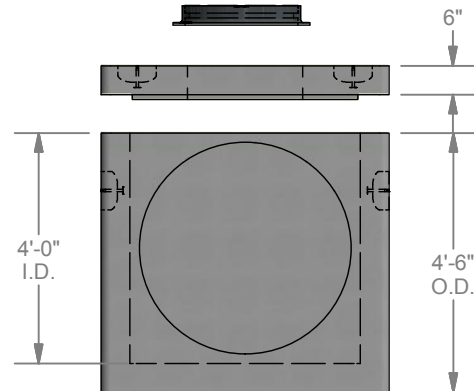
Precast Concrete 4'-0" X 4'-0" X 4'-0"
Storm Manhole



Precast Concrete 4'-0" X 4'-0" X 4'-0" Storm Manhole ... STRUCTURE ID : 300501



PLAN VIEW (BODY)



ELEV. VIEW

STANDARD MANHOLE FEATURES

- Designed for HS-20 Loading
- Blockouts As Needed (shown)
- Cast Iron Cover (shown)
- Cast Iron Ring (shown)
- Smooth Corners for Safe Installation & Quality & **It Just Looks Better!**

STORM MANHOLE OPTIONS

- Steel Grating In Lieu of Cast Iron
- Cast Iron Ring & Cover
- Variable Manhole Depth
- Variable Height Riser Sections
- Storm Manhole Grade Rings

LOCKE
SOLUTIONS

PROUDLY BASED IN
HOUSTON, TEXAS

T : 832-804-7062
F : 832-804-7071
E : info@lockesolutions.com

LOCKESOLUTIONS.COM

