



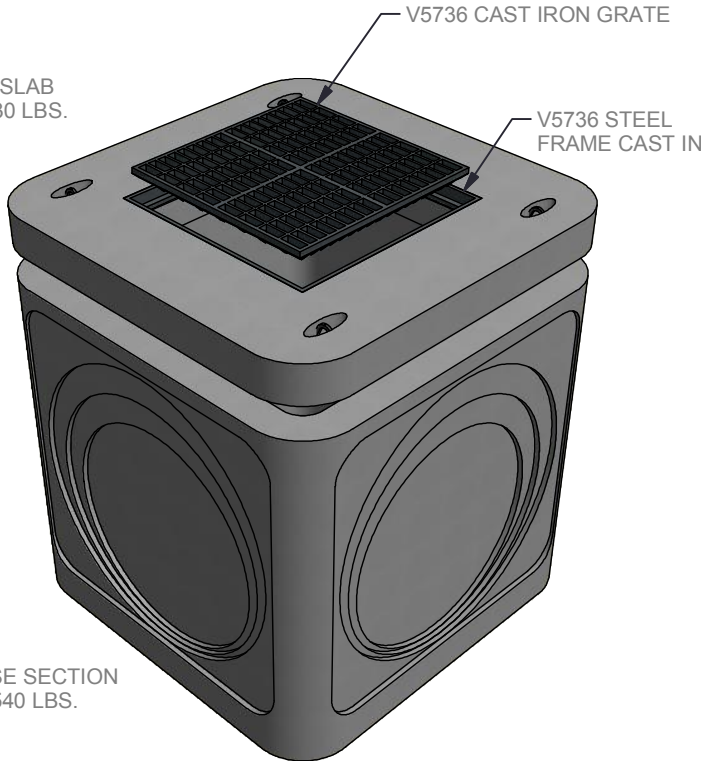
STRUCTURE ID: 300550

Precast Concrete 5'-0" x 5'-0" x 5'-0"
Catch Basin

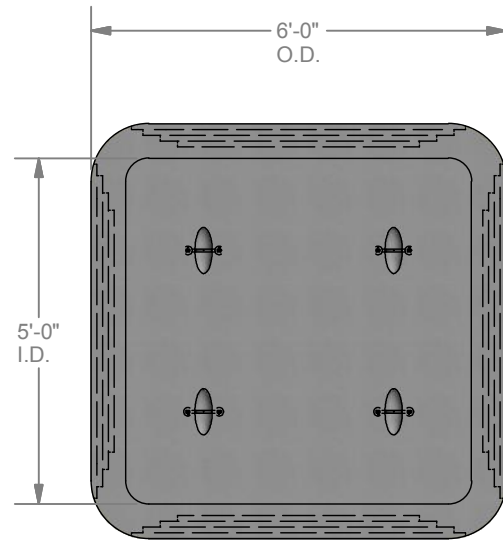


Precast Concrete 5'-0" x 5'-0" x 5'-0" Catch Basin :: STRUCTURE ID : 300550

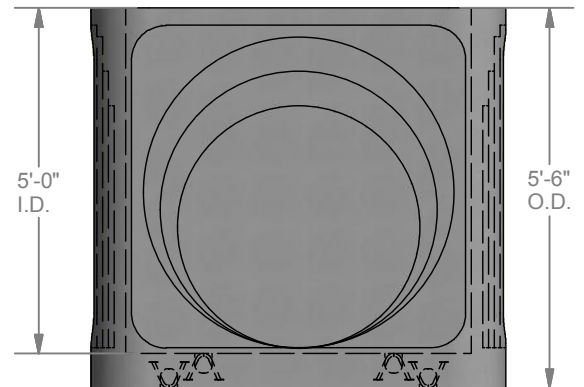
TOP SLAB
~2,430 LBS.



BASE SECTION
~7,540 LBS.



PLAN VIEW (BODY)



ELEV. VIEW

STANDARD CATCH BASIN FEATURES

- Designed for HS-20 Loading
- Rounded Thin Wall Knockouts For 36" RCP and Smaller (shown)
- Cast Iron Grate
- Cast In Steel Frame
- Smooth Corners for Safe Installation & Quality & **It Just Looks Better!**

CATCH BASIN OPTIONS

- Variable Catch Basin Depth
- Variable Thinwall Knockouts Sizes
- Variable Height Riser Sections

LOCKE
SOLUTIONS

PROUDLY BASED IN
HOUSTON, TEXAS

T : 832-804-7062
F : 832-804-7071
E : info@lockesolutions.com

LOCKESOLUTIONS.COM