

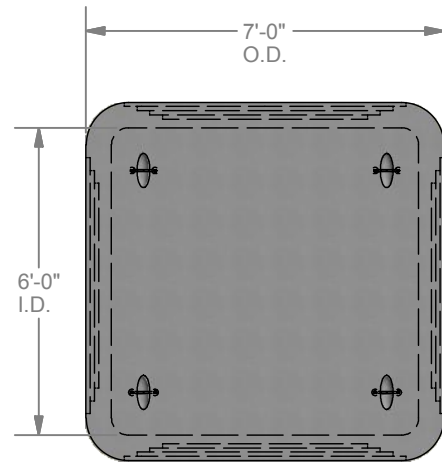
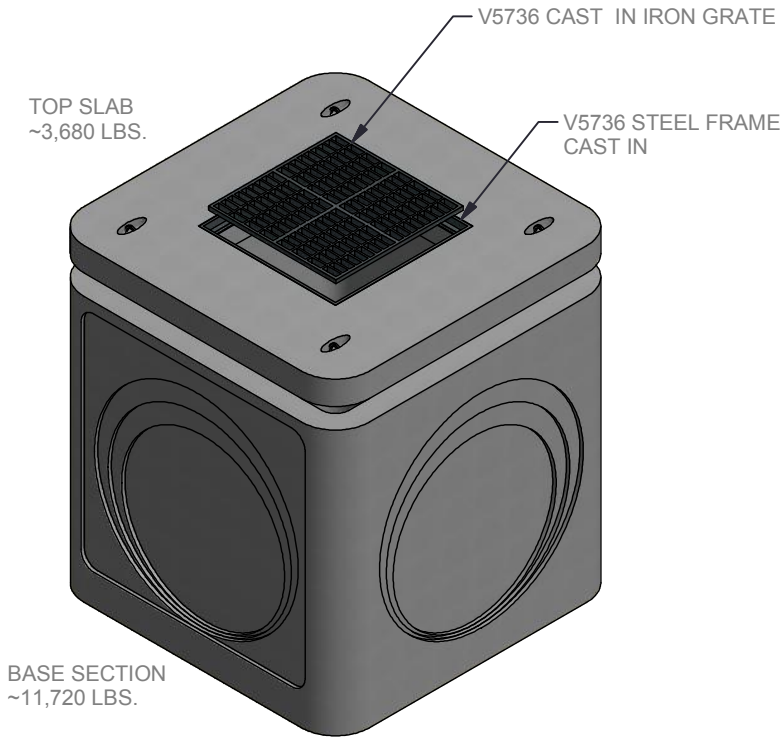


STRUCTURE ID: 300625

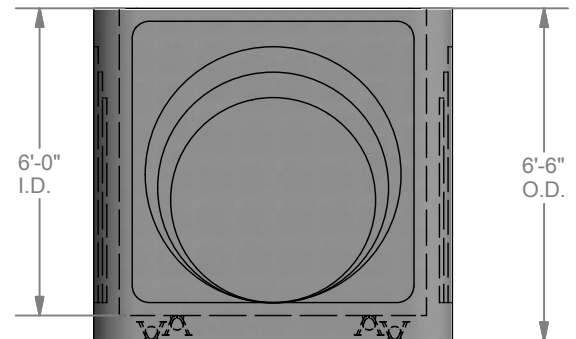
Precast Concrete 6'-0" x 6'-0" x 6'-0"
Catch Basin



Precast Concrete 6'-0" x 6'-0" x 6'-0" Catch Basin :: STRUCTURE ID : 300625



PLAN VIEW (BODY)



ELEV. VIEW

STANDARD CATCH BASIN FEATURES

- Designed for HS-20 Loading
- Rounded Thin Wall Knockouts For 42" RCP and Smaller (shown)
- Cast Iron Grate
- Cast In Steel Frame
- Smooth Corners for Safe Installation & Quality & **It Just Looks Better!**

CATCH BASIN OPTIONS

- Variable Catch Basin Depth
- Variable Thinwall Knockouts Sizes
- Variable Height Riser Sections

LOCKE
SOLUTIONS

PROUDLY BASED IN
HOUSTON, TEXAS

T : 832-804-7062
F : 832-804-7071
E : info@lockesolutions.com

LOCKESOLUTIONS.COM