

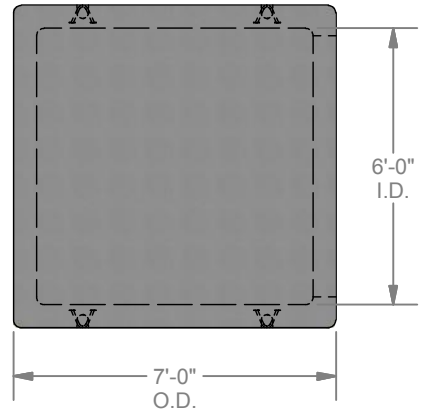
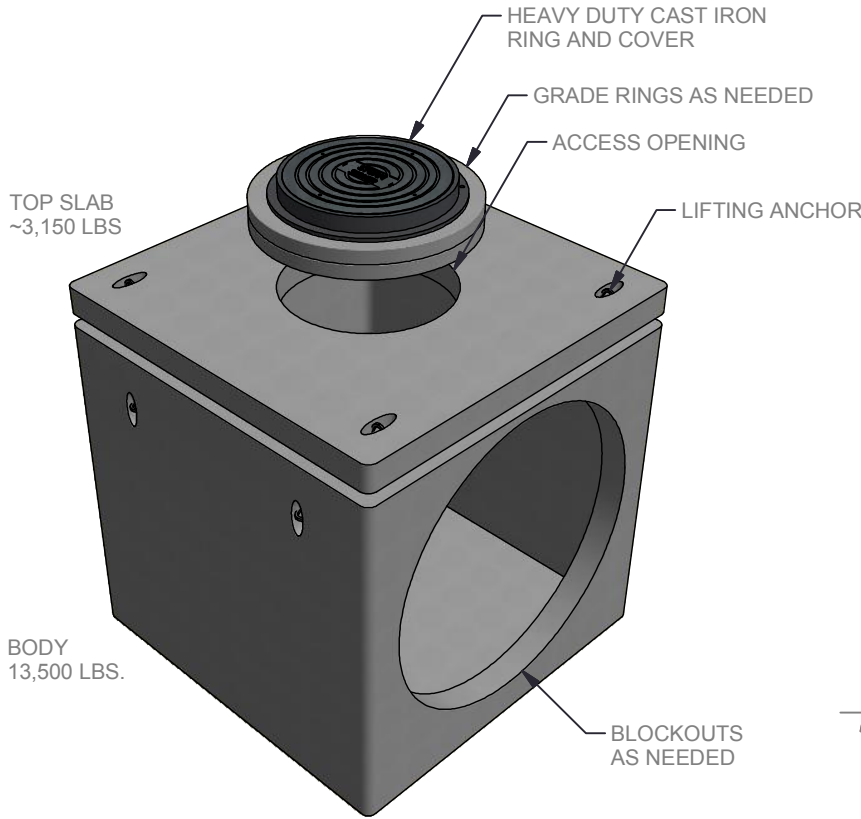


STRUCTURE ID: 300650

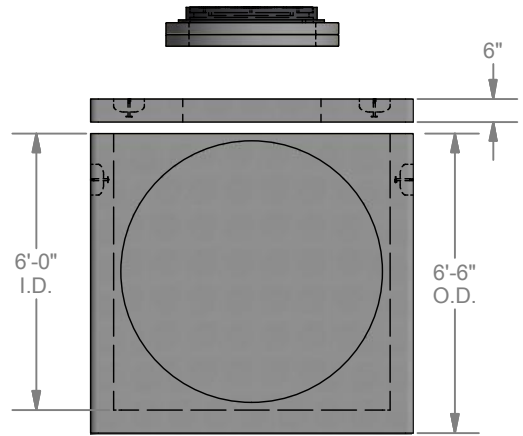
Precast Concrete 6'-0" X 6'-0" X 6'-0"  
**Storm Manhole**



Precast Concrete 6'-0" X 6'-0" X 6'-0" Storm Manhole :: STRUCTURE ID : 300650



**PLAN VIEW (BODY)**



**ELEV. VIEW**

**STANDARD MANHOLE FEATURES**

- Designed for HS-20 Loading
- Blockouts As Needed (shown)
- Cast Iron Cover (shown)
- Cast Iron Ring (shown)
- Grade Ring (shown)
- Smooth Corners for Safe Installation & Quality &.It Just Looks Better!

**STORM MANHOLE OPTIONS**

- Steel Grating In Lieu of Cast Iron
- Cast Iron Ring & Cover
- Variable Manhole Depth
- Variable Height Riser Sections
- Storm Manhole Grade Rings

**LOCKE**  
SOLUTIONS

PROUDLY BASED IN  
HOUSTON, TEXAS

T : 832-804-7062  
F : 832-804-7071  
E : info@lockesolutions.com

[LOCKESOLUTIONS.COM](http://LOCKESOLUTIONS.COM)

