

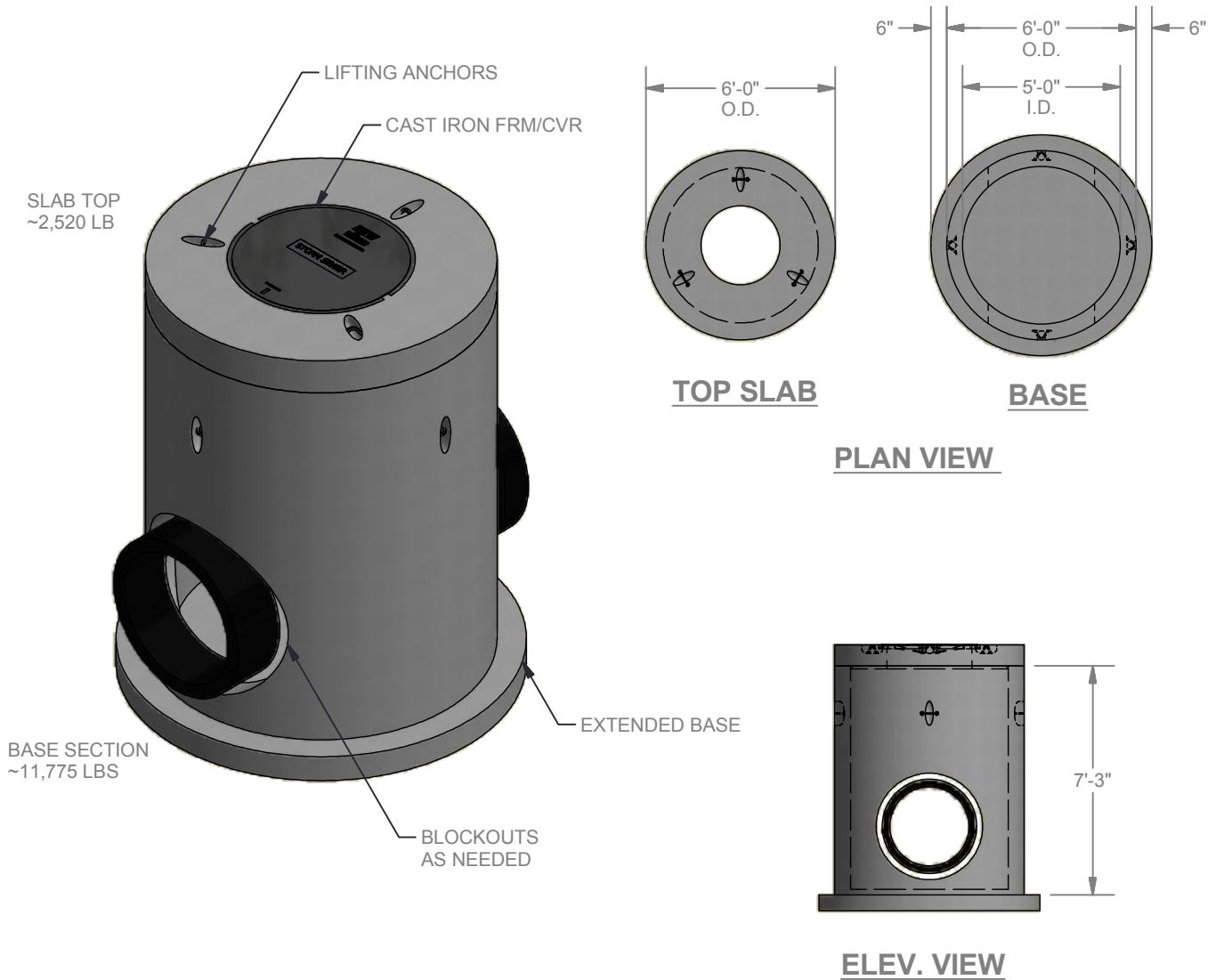


STRUCTURE ID: 301200

Precast Concrete 60" Diameter Manhole With Extended Base



Precast Concrete 60" Diameter Manhole With Extended Base :: STRUCTURE ID : 301200



STANDARD MANHOLE FEATURES

- Designed for HS-20 Loading
- Blockouts as Needed (shown)
- Extended Base (shown)
- Cast Iron Frame and Cover (shown)

MANHOLE OPTIONS

- Thinwall Knockouts in lieu of Blockouts
- No Extended Base
- Custom Heights Available

LOCKE
SOLUTIONS

PROUDLY BASED IN
HOUSTON, TEXAS

T : 832-804-7062
F : 832-804-7071
E : info@lockesolutions.com

LOCKESOLUTIONS.COM