



STRUCTURE ID: 48IN DIA X 7FT MH

Precast Concrete Manhole 4'-0"DIA. X 7'-0" 48" DIA. MH WITH EXTENDED BASE

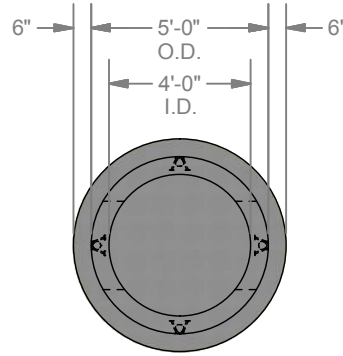


Precast Concrete Manhole 4'-0"DIA. X 7'-0" 48" DIA. MH WITH EXTENDED BASE :: STRUCTURE ID : 48IN DIA X 7FT MH

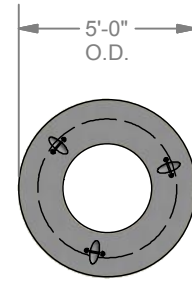
TOP SECTION
~1,160 lbs



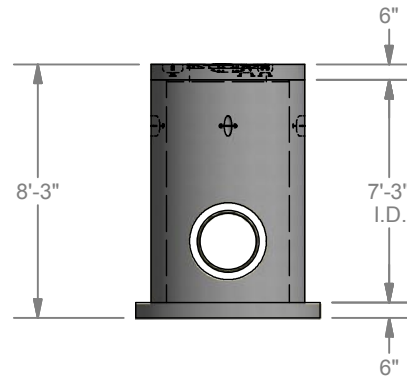
BASE SECTION
~9,040 lbs



PLAN VIEW (BASE)



PLAN VIEW (TOP)



ELEV. VIEW

STANDARD MANHOLE FEATURES

- Designed for HS-20 Loading
- Blockouts as needed (shown)
- Extended Base (shown)
- Cast Iron Frame and Cover (shown)

MANHOLE OPTIONS

- Thinwall Knockouts in lieu of blockouts
- No Extended Base
- Custom Heights Available

LOCKE
SOLUTIONS

PROUDLY BASED IN
HOUSTON, TEXAS

T : 832-804-7062
F : 832-804-7071
E : info@lockesolutions.com

LOCKESOLUTIONS.COM

