



STRUCTURE ID: 500100

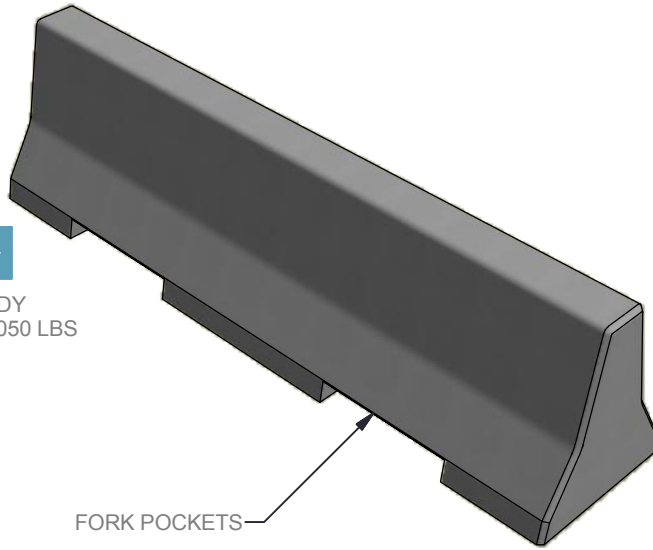
Precast Concrete 10'-0"
Traffic Barrier



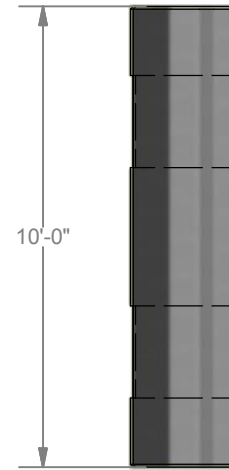
Precast Concrete 10'-0" Traffic Barrier :: STRUCTURE ID : 500100



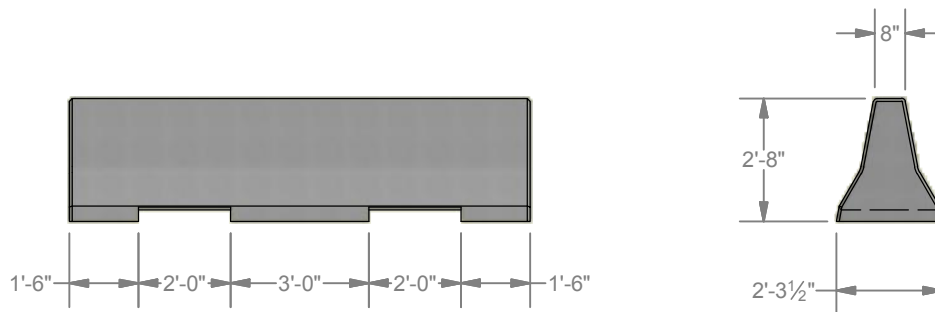
BODY
~5,050 LBS



FORK POCKETS



PLAN VIEW (BODY)



ELEV. VIEW

STANDARD PULL BOX FEATURES

- Concrete Compressive Strength of 5,500 PSI at 28 Days
- Forklift Pockets for Lifting

BARRIER OPTIONS

- Cast Pipe Sleeves for Fence Attachments
- Painted for Traffic Applications (yellow, white, etc.)
- Threaded Inserts Cast In for Equipment Attachments
- Variable Length Dimensions Available up to 30 ft Long

LOCKE
SOLUTIONS

PROUDLY BASED IN
HOUSTON, TEXAS

T : 832-804-7062
F : 832-804-7071
E : info@lockesolutions.com

LOCKESOLUTIONS.COM

