



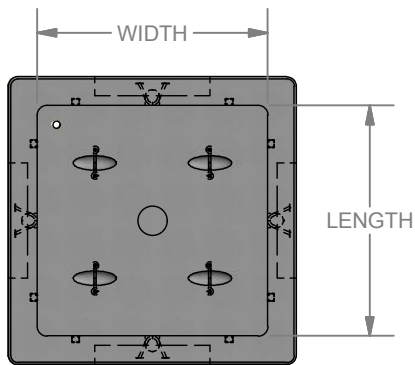
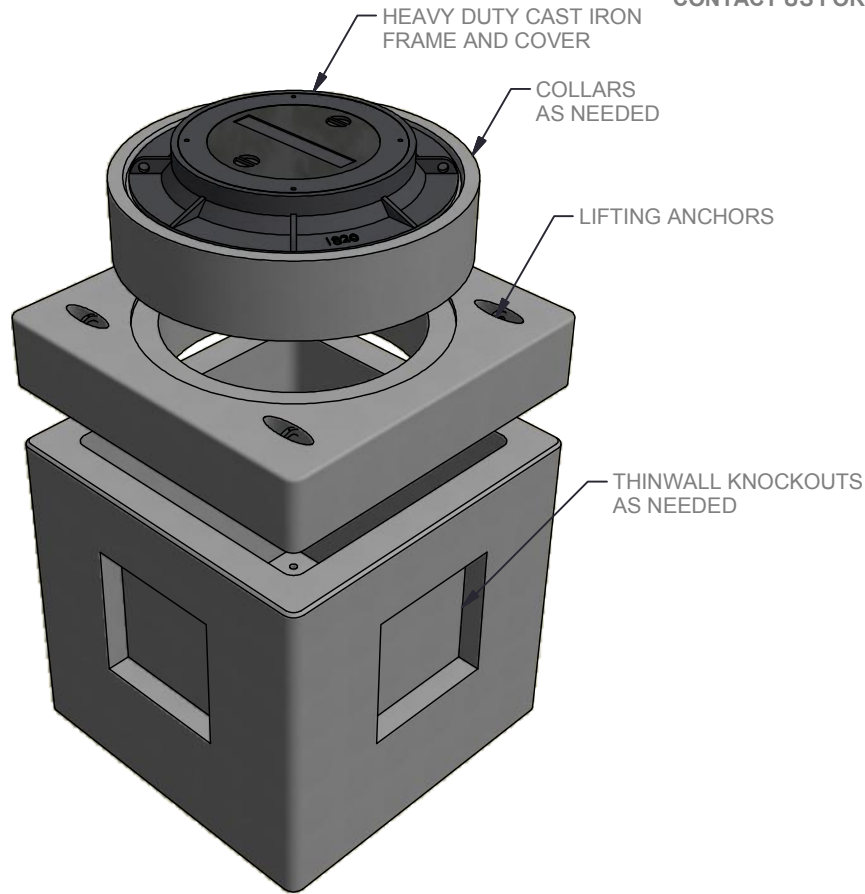
STRUCTURE ID: 900000

# Precast Concrete Aircraft Rated Manholes

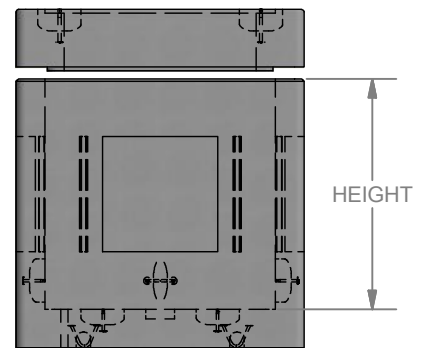


Precast Concrete Aircraft Rated Manholes ... STRUCTURE ID : 900000

DESIGNED FOR AIRCRAFT RATED  
CONTACT US FOR MORE INFORMATION



PLAN VIEW (BODY)



ELEVATION VIEW

**LOCKE**  
SOLUTIONS

PROUDLY BASED IN  
HOUSTON, TEXAS

T : 832-804-7062  
F : 832-804-7071  
E : info@lockesolutions.com

[LOCKESOLUTIONS.COM](http://LOCKESOLUTIONS.COM)

