

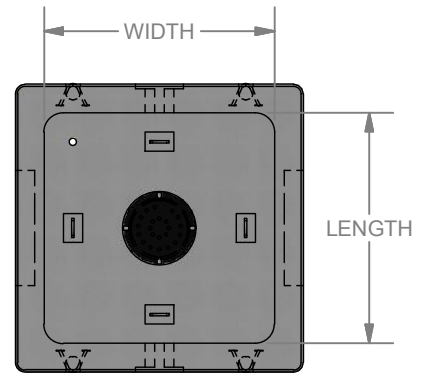
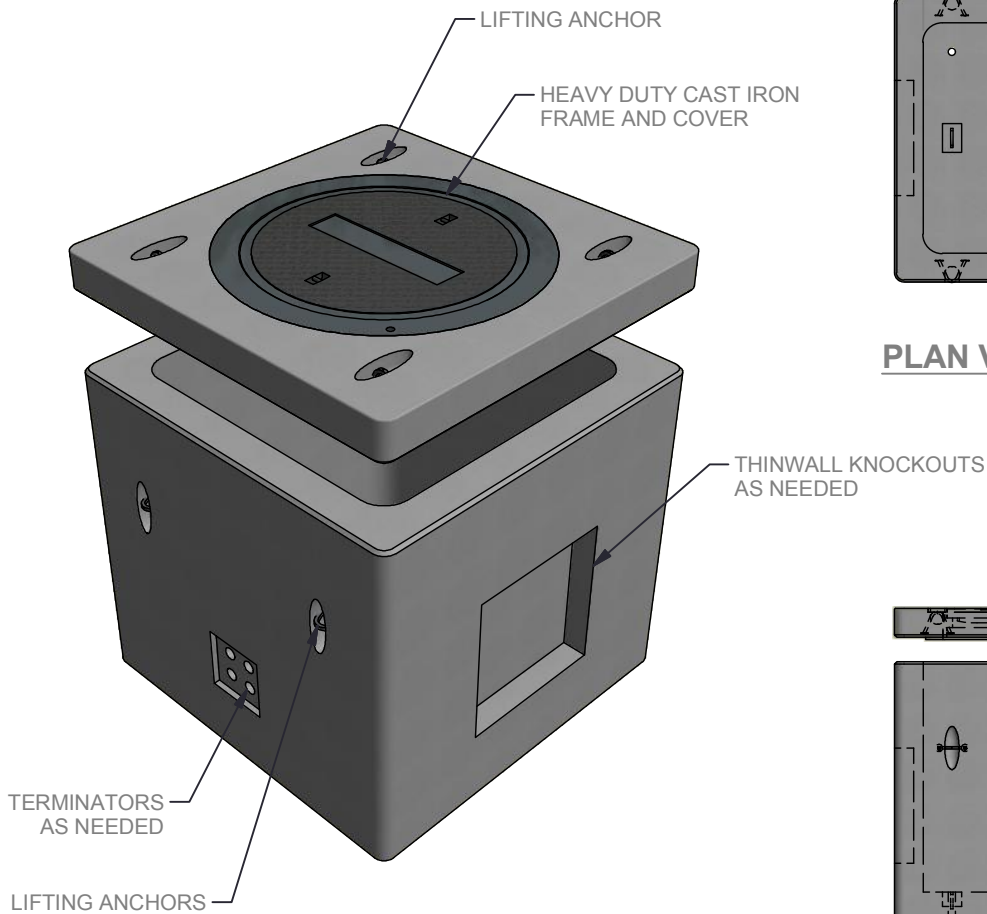


STRUCTURE ID: CAT-CustomCommMH

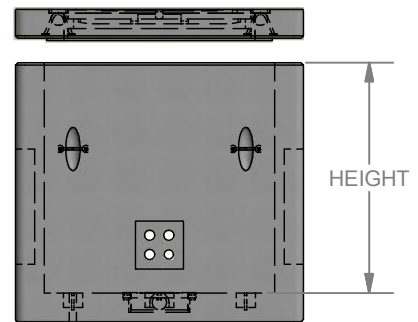
Precast Concrete Variable Dimension Communication Manhole



Precast Concrete Variable Dimension Communication Manhole ... STRUCTURE ID : CAT-CustomCommMH



PLAN VIEW (BODY)



ELEV. VIEW

MANHOLE FEATURES

- Designed for HS-20 Loading
- Segmented Thin Wall Knockouts (shown)
- Pull Irons Cast In Floor (shown)
- 6" Ø Recessed Sump in Floor (shown)
- 2" Ø Ground Hole in Floor (shown)
- Heavy Duty Galvanized Frame and Cover
- Smooth Corners for Safe Installation & Quality & **It Just Looks Better!**

MANHOLE OPTIONS

- Unistrut Cast Into Wall for Racking in lieu of Bolt Inserts
- Terminators Cast Into Wall in lieu of Thin Wall Recess
- Non-Metallic Racking
- Plastic Coated Racking
- Cast In Grounding Lug
- Pull Irons - Add or Change Locations
- Aluminum Lid in lieu of Galvanized Steel Lid
- Divider Plate for Multi-Purpose Boxes

LOCKE
SOLUTIONS

PROUDLY BASED IN
HOUSTON, TEXAS

T : 832-804-7062
F : 832-804-7071
E : info@lockesolutions.com

LOCKESOLUTIONS.COM