



STRUCTURE ID: 900000

Precast Concrete 10'-6" X 3'-6" Opening  
**Double Box Culvert**

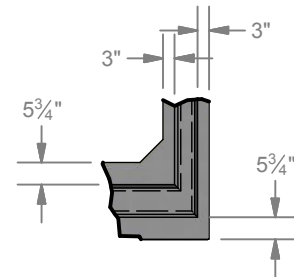
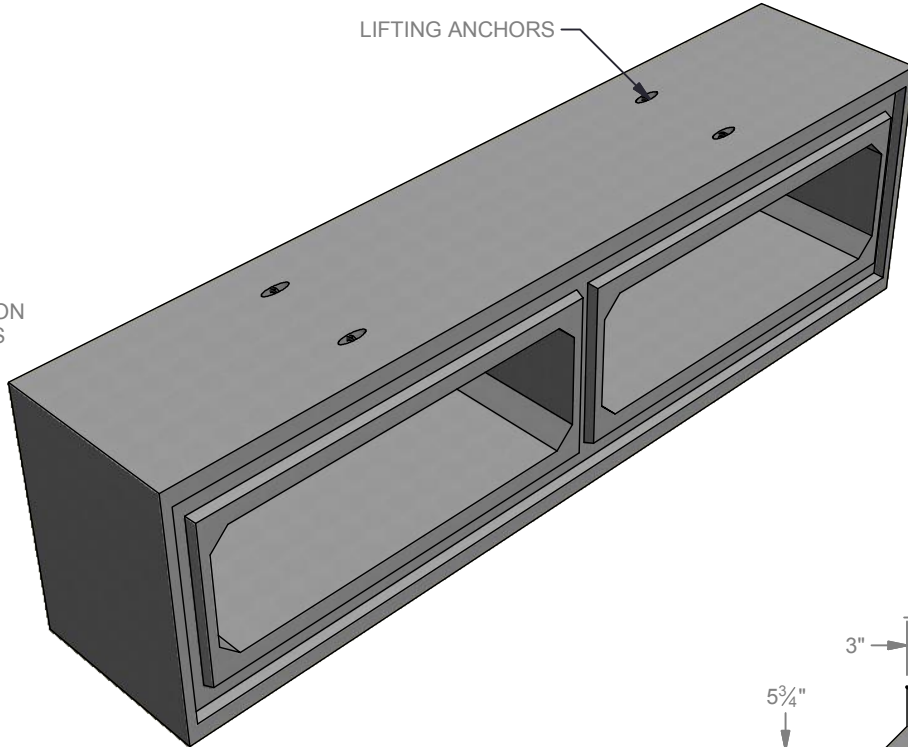


CONTACT US FOR MORE INFORMATION

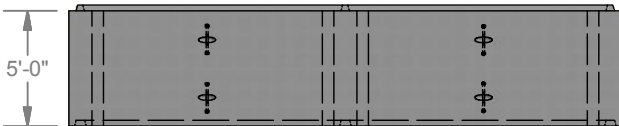
Precast Concrete 10'-6" X 3'-6" Opening Double Box Culvert :: STRUCTURE ID : 900000

5'-0" SECTION  
~67,000 LBS

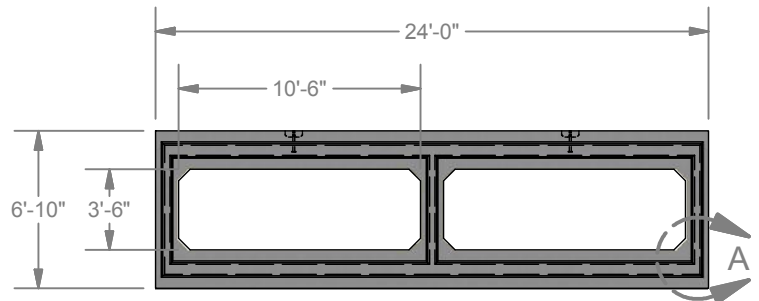
LIFTING ANCHORS



JOINT DETAL A



PLAN VIEW



ELEV. VIEW

**LOCKE**  
SOLUTIONS

PROUDLY BASED IN  
HOUSTON, TEXAS

T : 832-804-7062  
F : 832-804-7071  
E : info@lockesolutions.com

[LOCKESOLUTIONS.COM](http://LOCKESOLUTIONS.COM)

