



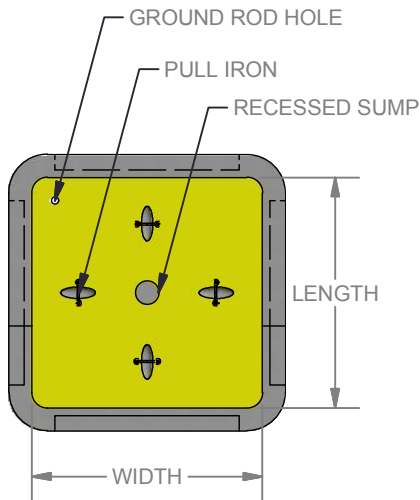
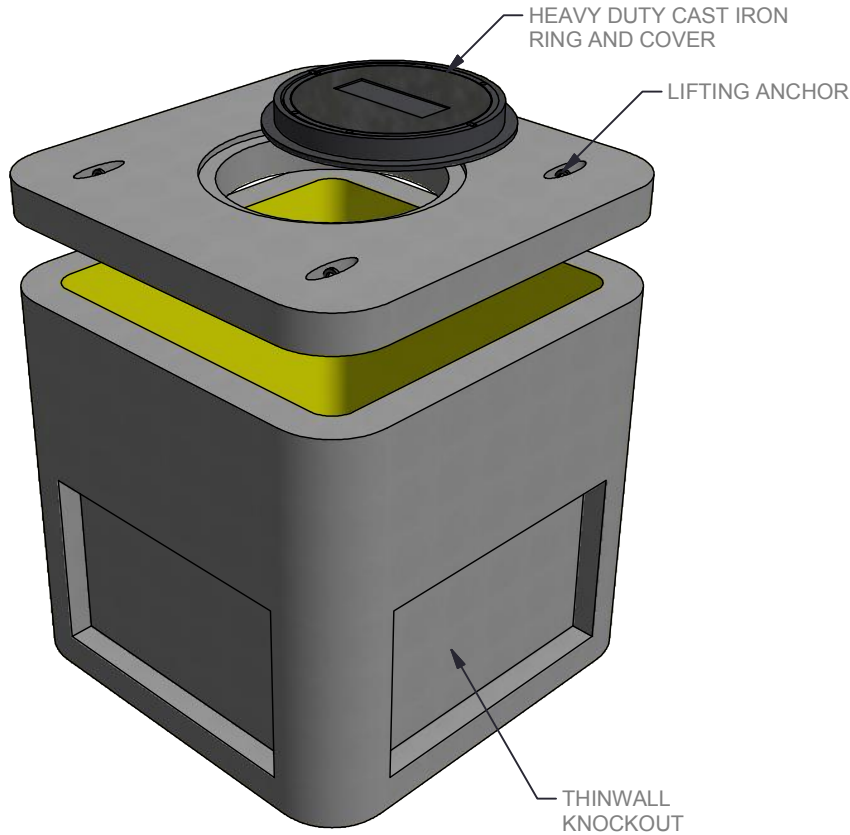
STRUCTURE ID: 900000

# Precast Concrete Chemical Resistant Manhole

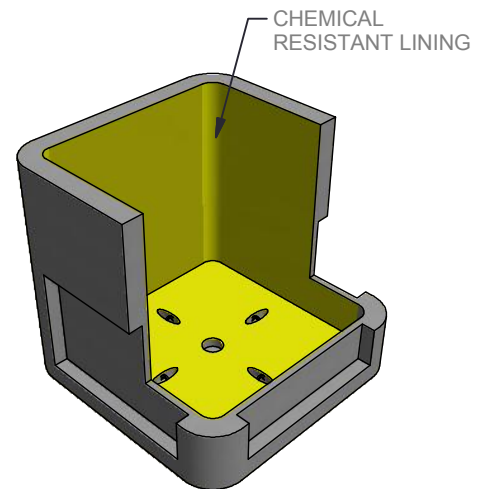


Precast Concrete Chemical Resistant Manhole :: STRUCTURE ID : 900000

CONTACT US FOR MORE INFORMATION



**PLAN VIEW (BODY)**



**SECTION VIEW**

**LOCKE**  
SOLUTIONS

PROUDLY BASED IN  
HOUSTON, TEXAS

T : 832-804-7062  
F : 832-804-7071  
E : info@lockesolutions.com

[LOCKESOLUTIONS.COM](http://LOCKESOLUTIONS.COM)

