



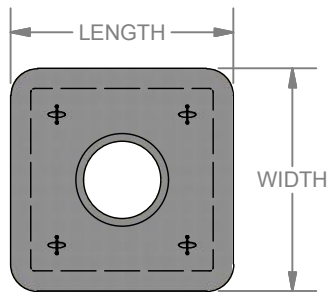
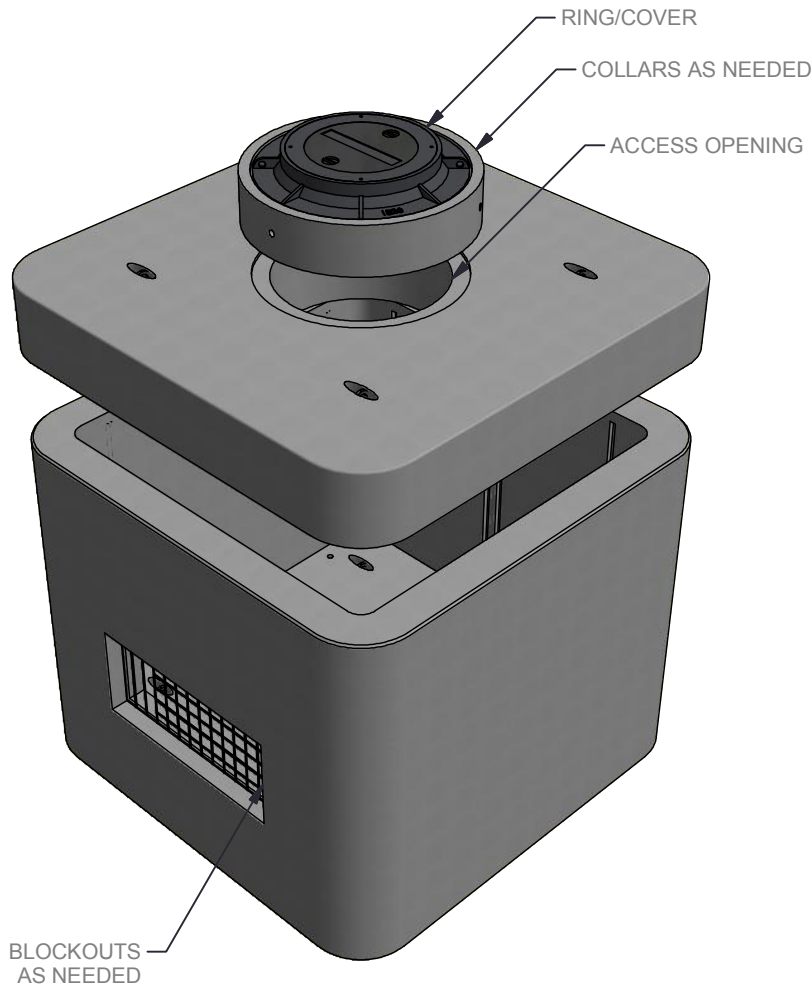
STRUCTURE ID: 900000

Precast Concrete Marine Port Rated Manhole

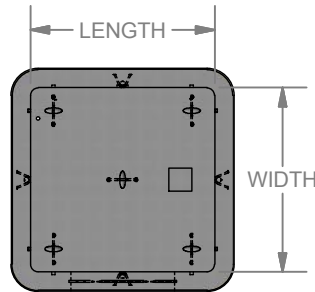


Precast Concrete Marine Port Rated Manhole :: STRUCTURE ID : 900000

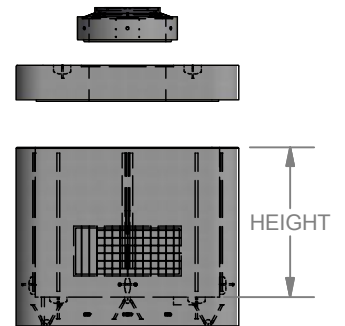
CONTACT US FOR MORE INFORMATION



PLAN VIEW (TOP)



PLAN VIEW (BASE)



ELEV. VIEW

LOCKE
SOLUTIONS

PROUDLY BASED IN
HOUSTON, TEXAS

T : 832-804-7062
F : 832-804-7071
E : info@lockesolutions.com

LOCKESOLUTIONS.COM

