



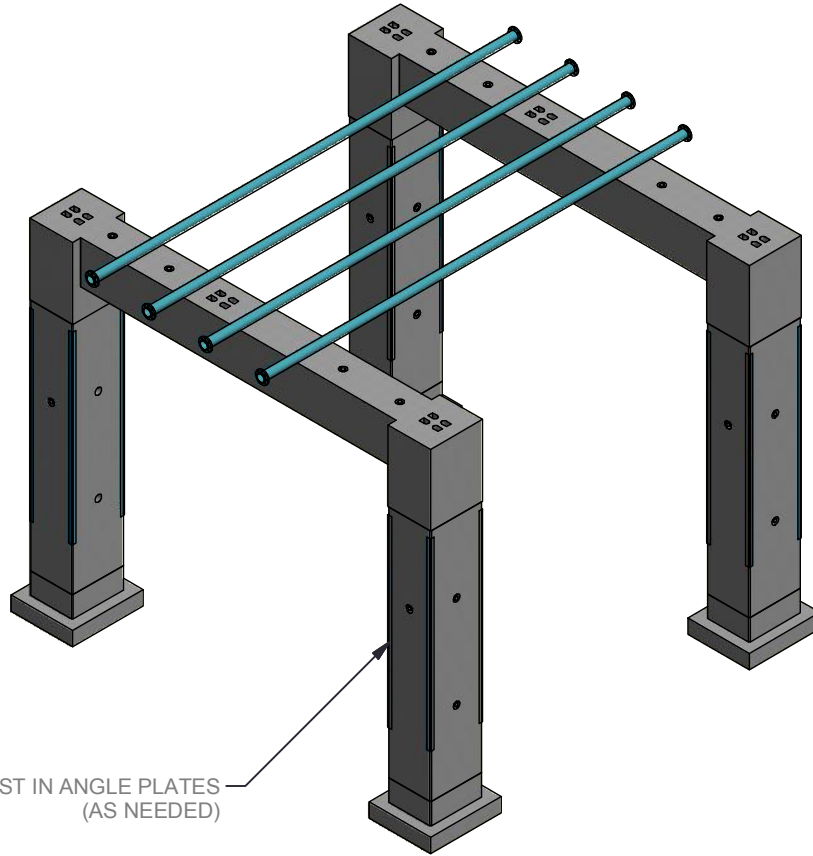
STRUCTURE ID: 900000

Precast Concrete
Pipe Racks

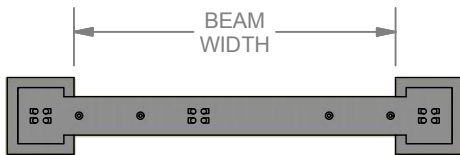


CONTACT US FOR MORE INFORMATION

Precast Concrete Pipe Racks ... STRUCTURE ID : 900000



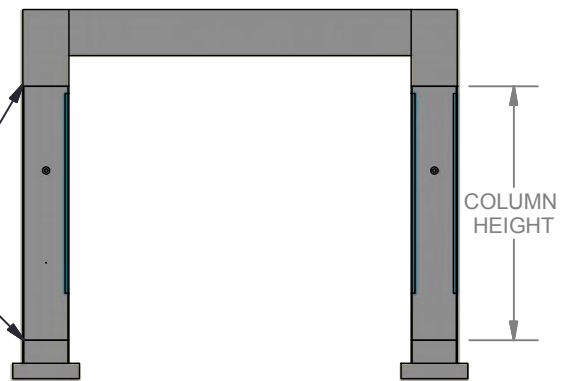
CAST IN ANGLE PLATES
(AS NEEDED)



BEAM
WIDTH

PLAN VIEW

SPLICE SLEEVE
CONNECTIONS



COLUMN
HEIGHT

ELEV. VIEW

LOCKE
SOLUTIONS

PROUDLY BASED IN
HOUSTON, TEXAS

T : 832-804-7062
F : 832-804-7071
E : info@lockesolutions.com

LOCKESOLUTIONS.COM

