



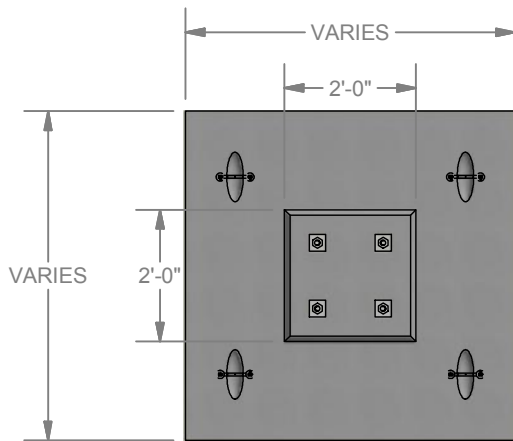
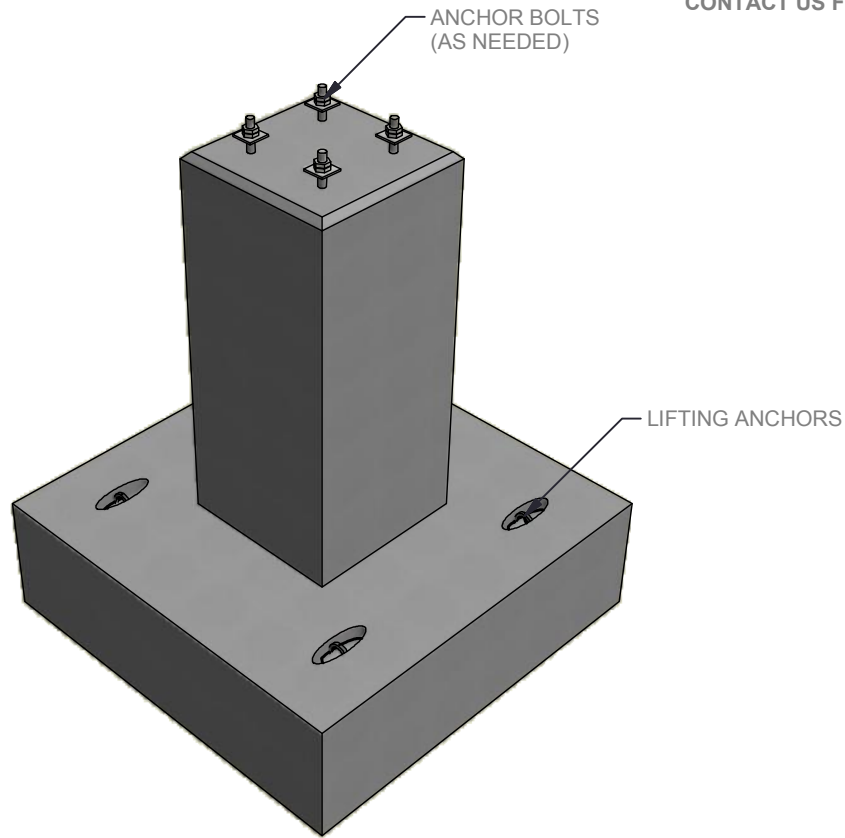
STRUCTURE ID: 900000

Precast Concrete Spread Footer Foundation

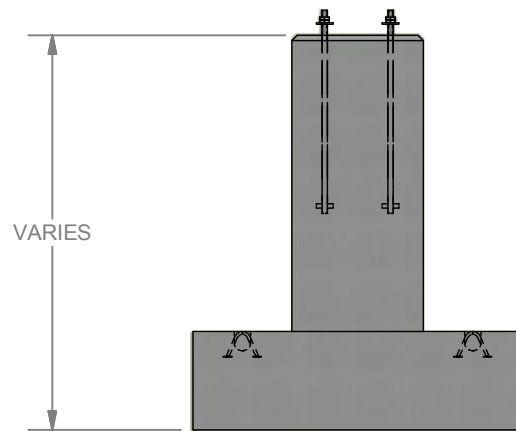


CONTACT US FOR MORE INFORMATION

Precast Concrete Spread Footer Foundation :: STRUCTURE ID : 900000



PLAN VIEW (BODY)



ELEV. VIEW

LOCKE
SOLUTIONS

PROUDLY BASED IN
HOUSTON, TEXAS

T : 832-804-7062
F : 832-804-7071
E : info@lockesolutions.com

LOCKESOLUTIONS.COM

