

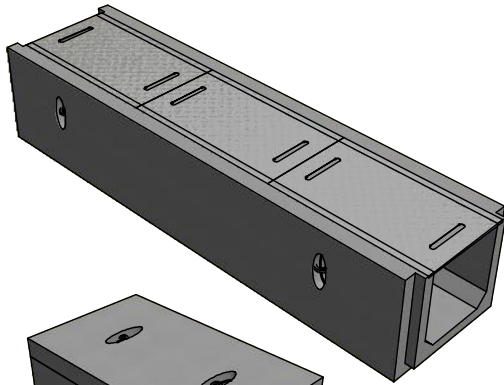


STRUCTURE ID: 900000

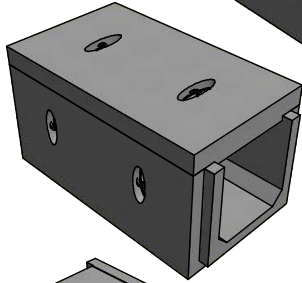
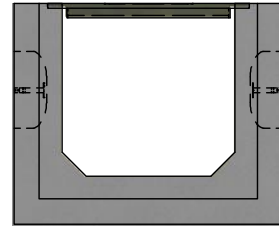
Precast Concrete Lids
Variable Trench Lids



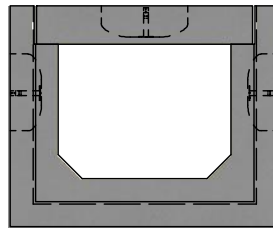
Precast Concrete Lids Variable Trench Lids :: STRUCTURE ID : 900000



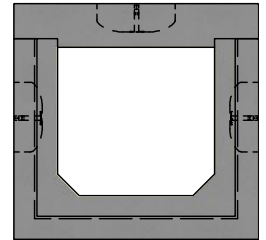
STEEL COVER



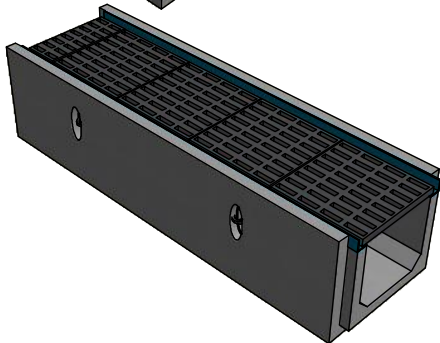
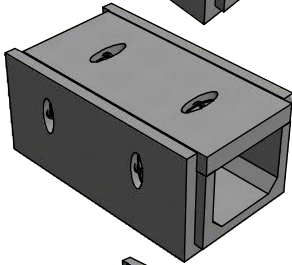
CONCRETE LIDS



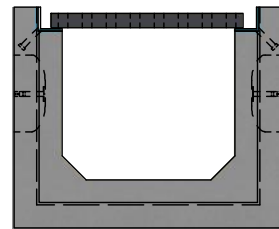
INSET



ON TOP



STEEL OR CAST IRON



ELEV. VIEW

STANDARD TRENCH LID CONFIGURATIONS:

Steel Cover Options

- Diamond Plate Finish
- Hot Dipped Galvanized
- Powder Coated
- HS-20 Traffic Rated
- Recessed Handles for Lifting

TRENCH LID CONFIGURATIONS CONTINUE:

Concrete Lid Options

- Pedestrian Rated
- HS-20 Rated
- Concrete Compressive Strength of 5,500 psi at 28 Days
- Anchors for Lifting

Grating Options

- Hot Dipped Galvanized Steel
- Cast or Ductile Iron

LOCKE
SOLUTIONS

PROUDLY BASED IN
HOUSTON, TEXAS

T : 832-804-7062
F : 832-804-7071
E : info@lockesolutions.com

LOCKESOLUTIONS.COM

