



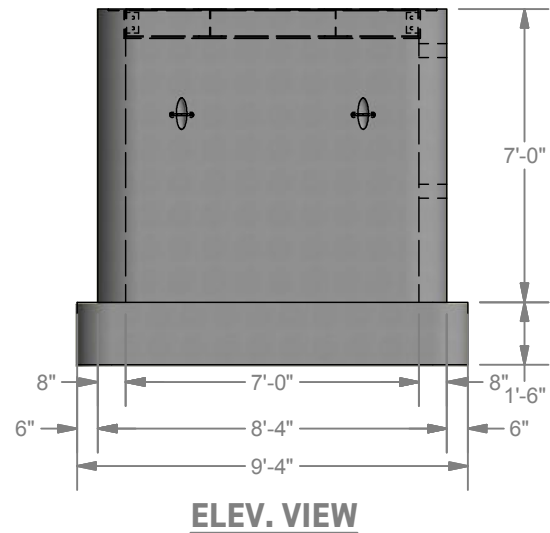
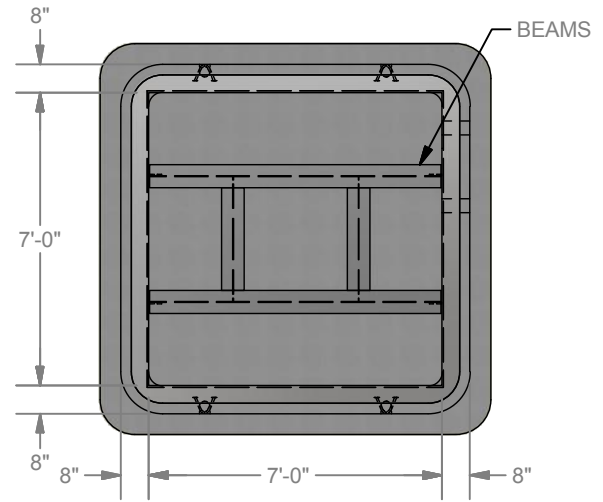
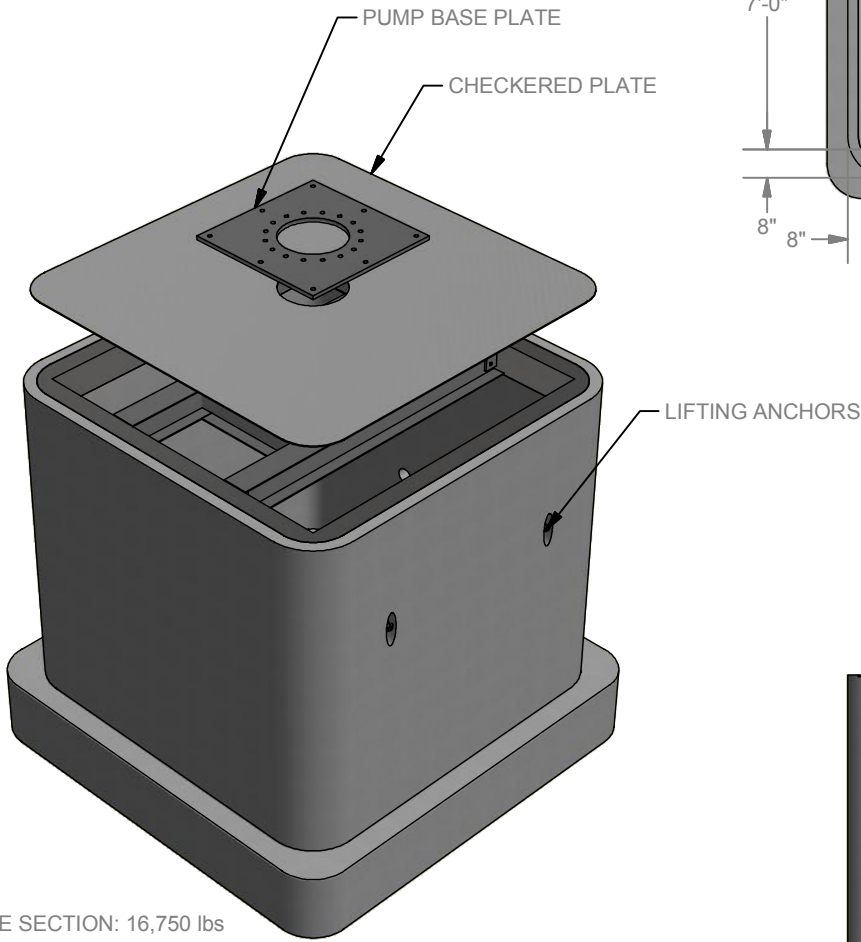
STRUCTURE ID: 900000

Precast Concrete Custom
Water Pit



Precast Concrete Custom Water Pit :: STRUCTURE ID : 900000

NOTE: CUSTOM SIZES AVAILABLE



LOCKE
SOLUTIONS

PROUDLY BASED IN
HOUSTON, TEXAS

T : 832-804-7062
F : 832-804-7071
E : info@lockesolutions.com

LOCKESOLUTIONS.COM