



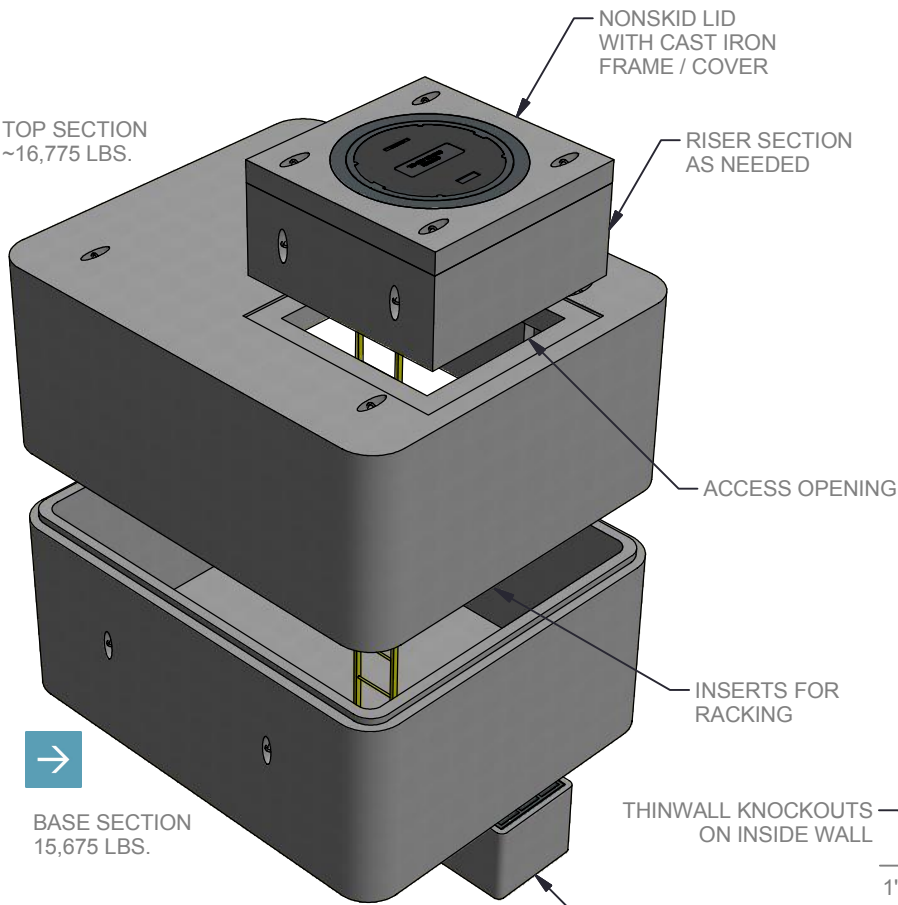
STRUCTURE ID: 103200

Precast Concrete 8'-0" X 10'-0" X 8'-0" Communication Manhole

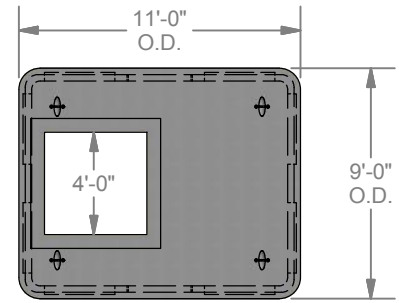


Precast Concrete 8'-0" X 10'-0" X 8'-0" Communication Manhole :: STRUCTURE ID : 103200

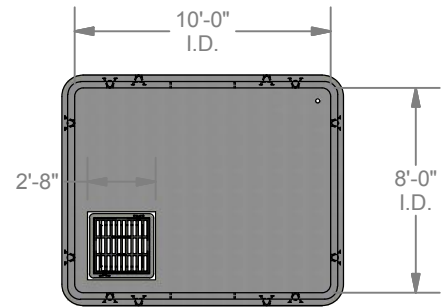
TOP SECTION
~16,775 LBS.



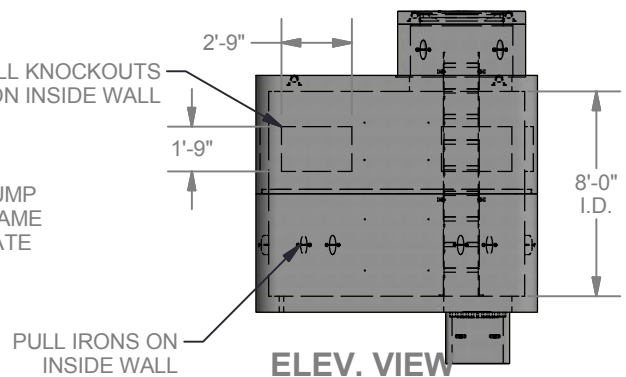
BASE SECTION
15,675 LBS.



PLAN VIEW (TOP)



PLAN VIEW (BASE)



ELEV. VIEW

STANDARD MANHOLE FEATURES

- Designed for HS-20 Loading
- Thin Wall Knockouts (shown)
- Pull Irons (shown)
- 2'-8" Sq. Blockout in Floor (shown)
- 2'-0" x 2'-0" Sump With Cast Iron (shown)
- 2" Ø Ground Hole in Floor (shown)
- Riser Section as Needed (shown)
- Cast Iron Ring and Cover (shown)
- Smooth Corners for Safe Installation & Quality & **It Just Looks Better!**

MANHOLE OPTIONS

- Unistrut Cast Into Wall for Racking in lieu of Bolt Inserts
- Terminators Cast Into Wall in lieu of Thin Wall Recess
- Non-Metallic Racking
- Plastic Coated Racking
- Cast In Grounding Lug
- Pull Irons - Add or Change Locations
- Divider Plate for Multi-Purpose Boxes
- Sump Pan or Recess in lieu of Blockout

LOCKE
SOLUTIONS

PROUDLY BASED IN
HOUSTON, TEXAS

T : 832-804-7062
F : 832-804-7071
E : info@lockesolutions.com

LOCKESOLUTIONS.COM