

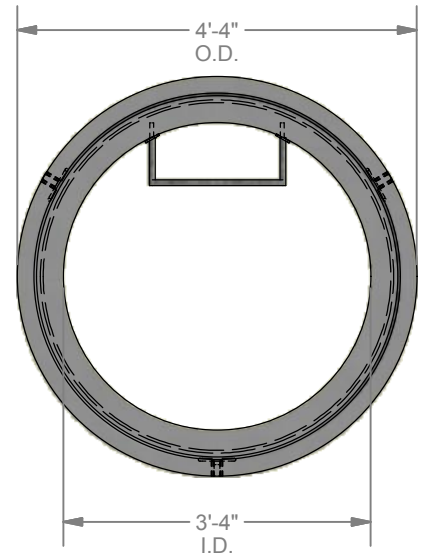
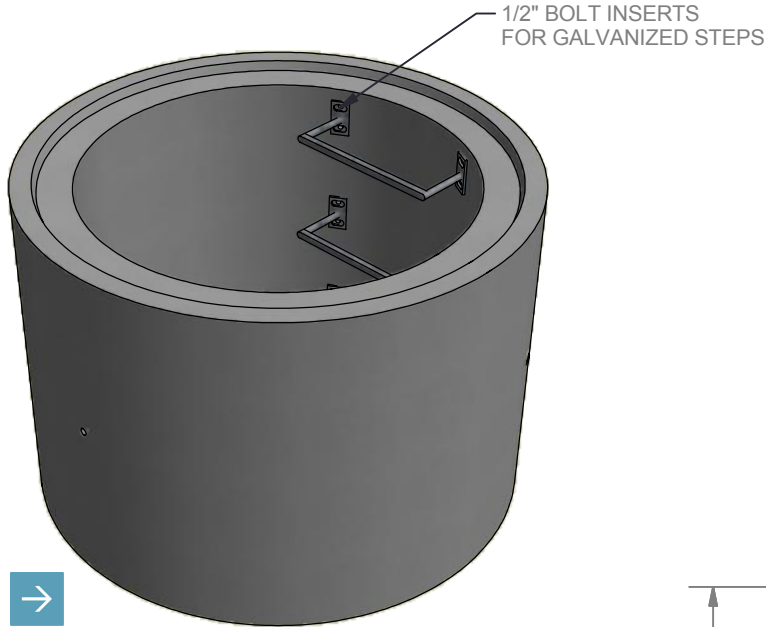


STRUCTURE ID: 103600

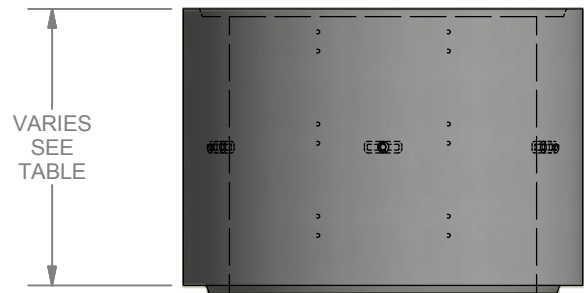
Precast Concrete Collar 40" Diameter Communication Collar



Precast Concrete Collar 40" Diameter Communication Collar :: STRUCTURE ID : 103600



PLAN VIEW



ELEV. VIEW

STANDARD COLLAR FEATURES

- Designed for HS-20 Loading
- Bolt Inserts for Steps (shown)

STANDARD COLLAR OPTIONS

40" DIA. COLLARS	
HEIGHT	WEIGHT
3"	220 LBS
6"	445 LBS
9"	670 LBS
12"	895 LBS
18"	1,350 LBS
27"	2,030 LBS
36"	2,705 LBS

LOCKE
SOLUTIONS

PROUDLY BASED IN
HOUSTON, TEXAS

T : 832-804-7062
F : 832-804-7071
E : info@lockesolutions.com

LOCKESOLUTIONS.COM