

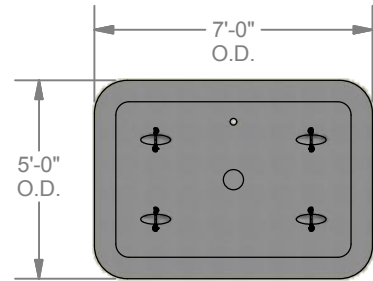
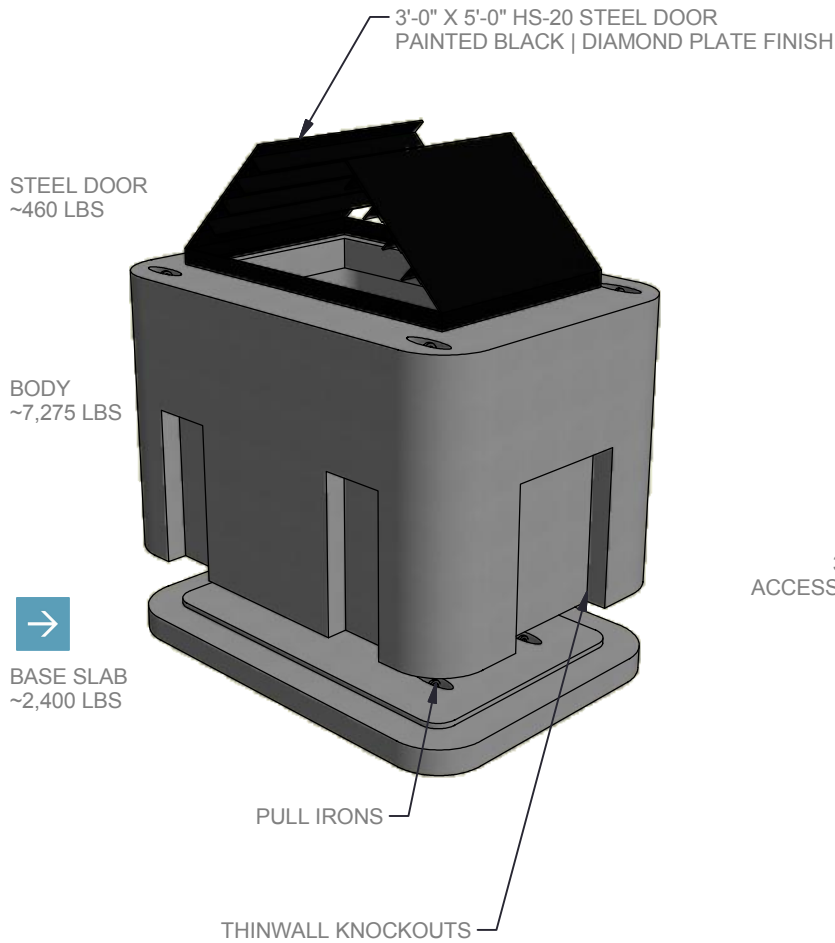


STRUCTURE ID: 201800

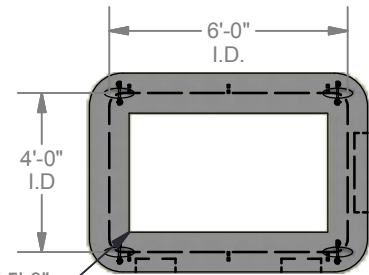
Precast Concrete 4'-0" X 6'-0" X 4'-0"  
**Electrical Splice Box**



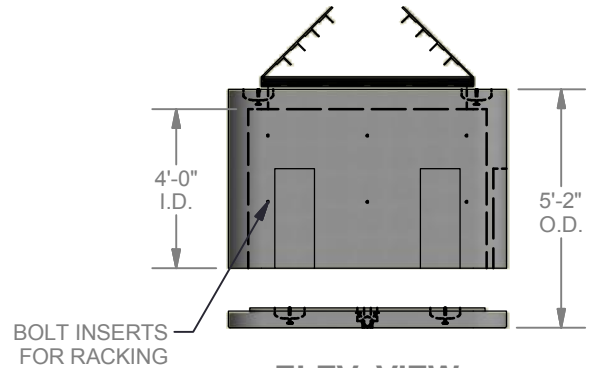
Precast Concrete 4'-0" X 6'-0" X 4'-0" Electrical Splice Box :: STRUCTURE ID : 201800



**PLAN VIEW (FLOOR)**



**PLAN VIEW (TOP)**



**ELEV. VIEW**

### STANDARD SPLICE BOX FEATURES

- Designed for HS-20 Loading
- Thin Wall Knockouts for Easy Cable Splicing (shown)
- Pull Irons Cast In Floor (shown)
- 6" Ø Sump Recess in Floor (shown)
- 2" Ø Ground Hole in Floor (shown)
- Black Painted Steel Cover (shown)
- Diamond Plate Finish on Cover (shown)
- Smooth Corners for Safe Installation & Quality &...It Just Looks Better!

### SPLICE BOX OPTIONS

- Unistrut Cast Into Wall for Racking in lieu of Bolt Inserts
- Terminators Cast Into Wall in lieu of Thin Wall Recess
- Non-Metallic Racking
- Plastic Coated Racking
- Cast In Grounding Lug
- Pull Irons - Add or Change Locations
- Hot Dipped Galvanized in lieu of Black Painted Steel Door
- Aluminum Lld in lieu of Black Painted Steel Door
- Divider Plate for Multi-Purpose Boxes

**LOCKE**  
SOLUTIONS

PROUDLY BASED IN  
HOUSTON, TEXAS

T : 832-804-7062  
F : 832-804-7071  
E : info@lockesolutions.com

LOCKESOLUTIONS.COM