

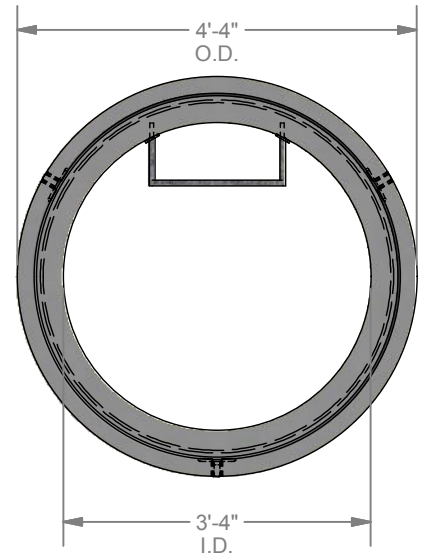
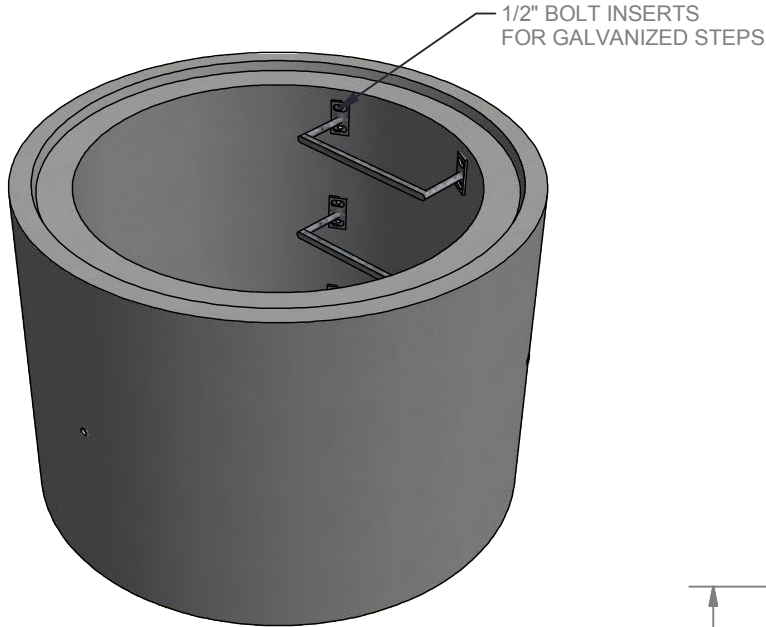


STRUCTURE ID: 203950

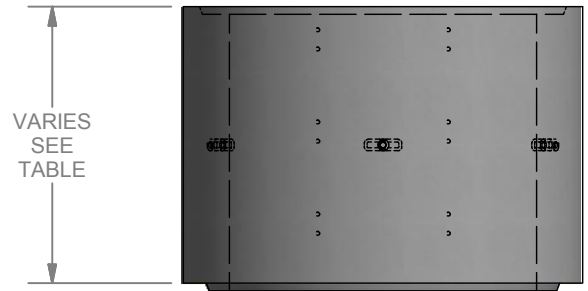
# Precast Concrete Collar 40" Diameter Electrical Collar



Precast Concrete Collar 40" Diameter Electrical Collar :: STRUCTURE ID : 203950



**PLAN VIEW**



**ELEV. VIEW**

### STANDARD COLLAR FEATURES

- Designed for HS-20 Loading
- Bolt Inserts for Steps (shown)

### STANDARD COLLAR OPTIONS

40" DIA. COLLARS	
HEIGHT	WEIGHT
3"	220 LBS
6"	445 LBS
9"	670 LBS
12"	895 LBS
18"	1,350 LBS
27"	2,030 LBS
36"	2,705 LBS

**LOCKE**  
SOLUTIONS

PROUDLY BASED IN  
HOUSTON, TEXAS

T : 832-804-7062  
F : 832-804-7071  
E : info@lockesolutions.com

[LOCKESOLUTIONS.COM](http://LOCKESOLUTIONS.COM)