

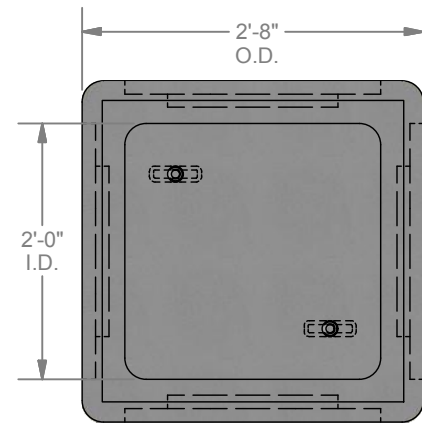
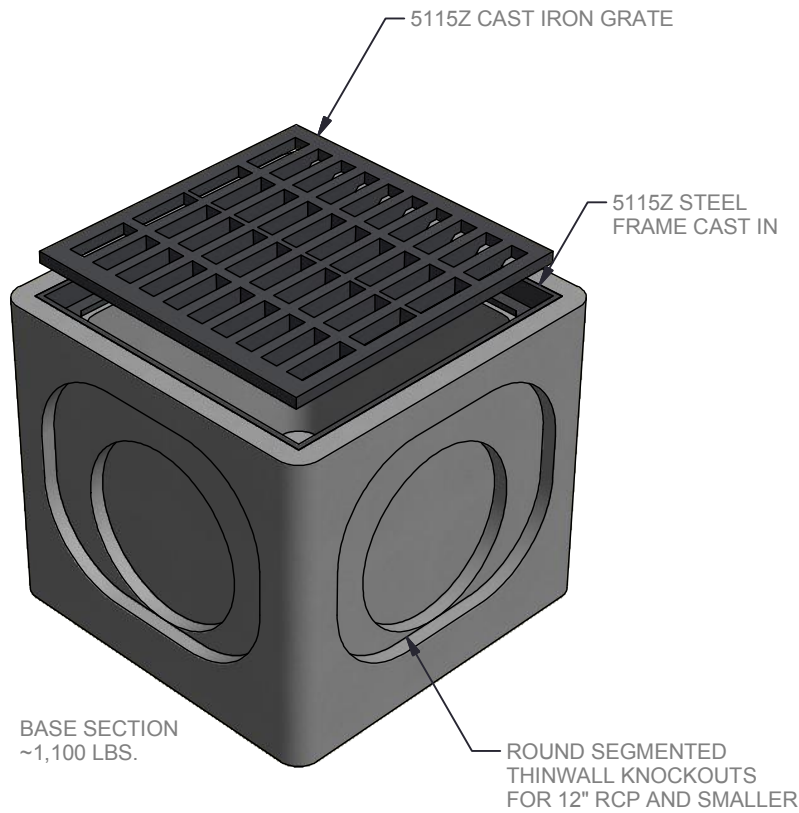


STRUCTURE ID: 300200

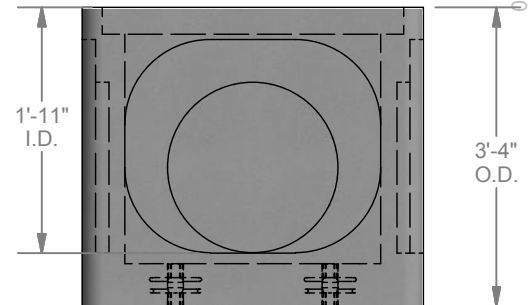
Precast Concrete 2'-0" x 2'-0" x 2'-0"  
**Catch Basin**



Precast Concrete 2'-0" x 2'-0" x 2'-0" Catch Basin :: STRUCTURE ID : 300200



**PLAN VIEW (BODY)**



**ELEV. VIEW**

**STANDARD CATCH BASIN FEATURES**

- Designed for HS-20 Loading
- Rounded Thin Wall Knockouts For 12" RCP and Smaller (shown)
- Cast Iron Grate
- Cast In Steel Frame
- Smooth Corners for Safe Installation & Quality & **It Just Looks Better!**

**CATCH BASIN OPTIONS**

- Variable Catch Basin Depth
- Variable Thinwall Knockouts Sizes
- Variable Height Riser Sections

VARIABLE RISER	
HEIGHT	WEIGHT
6"	750 LBS
12"	1,500 LBS
18"	2,250 LBS

**LOCKE**  
SOLUTIONS

PROUDLY BASED IN  
HOUSTON, TEXAS

T : 832-804-7062  
F : 832-804-7071  
E : info@lockesolutions.com

[LOCKESOLUTIONS.COM](http://LOCKESOLUTIONS.COM)