



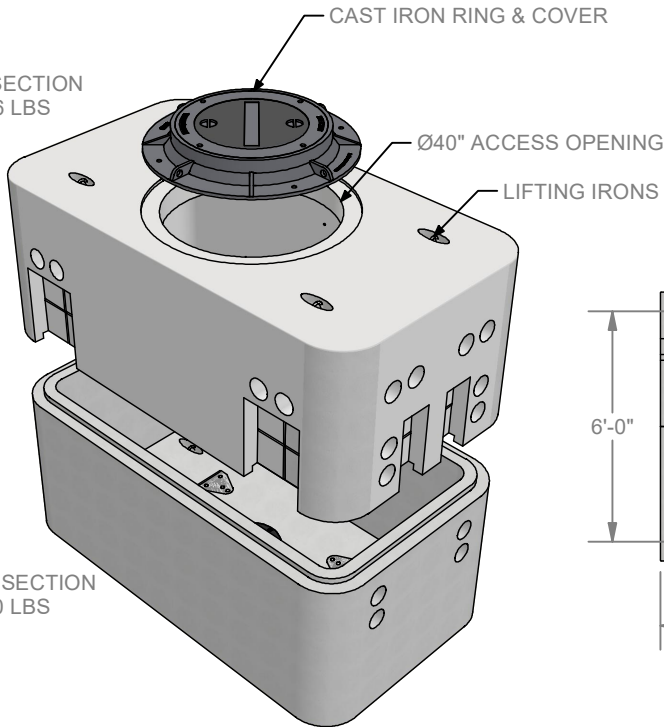
STRUCTURE ID: 202900

Precast Concrete Manhole 4'-0" X 8'-0" X 6'-0"
Thinwall Knockout Type D

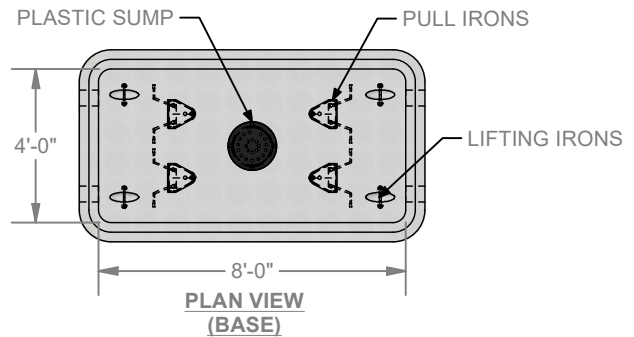
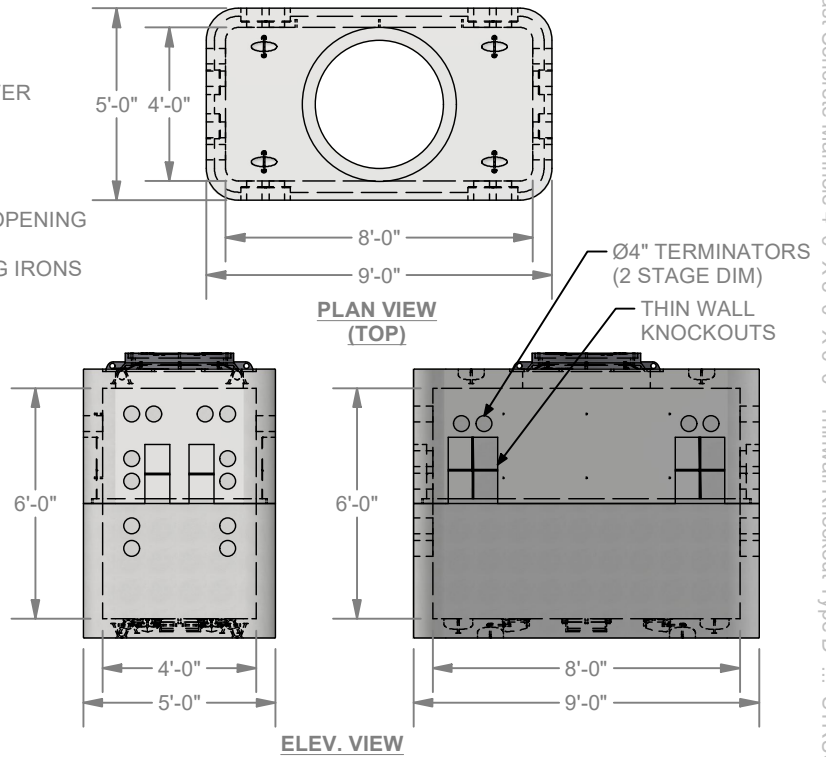


Precast Concrete Manhole 4'-0" X 8'-0" X 6'-0" Thinwall Knockout Type D :: STRUCTURE ID : 202900

TOP SECTION
~7,266 LBS



BASE SECTION
~8,960 LBS



STANDARD MANHOLE TYPE D FEATURES

- Designed for HS-20 Loading
- Steel Reinforced Precast Concrete
- Thin Wall Knockouts (shown)
- Pull Irons Cast-In Floor (shown)
- Terminators Cast-in Wall (shown)
- Ø12" X 4" Plastic Sump in Floor (shown)
- Black Painted Steel (shown)
- Manway Access Opening (shown)
- Smooth Corners for Safe Installation & Quality &... **It Just Looks Better!**

MANHOLE TYPE D OPTIONS

- Unistrut Cast Into Wall for Racking in lieu of Bolt Inserts
- Terminators Cast Into Wall in lieu of Thin Wall Knockouts
- Non-Metallic Racking
- Plastic Coated Racking
- Cast-In Grounding Lug
- Pull Irons - Add or Change Locations
- Aluminum Lid in lieu of Galvanized Steel Lid
- Divider Plate for Multi-Purpose Boxes

LOCKE
SOLUTIONS

PROUDLY BASED IN
HOUSTON, TEXAS

T : 832-804-7062
F : 832-804-7071
E : info@lockesolutions.com

LOCKESOLUTIONS.COM