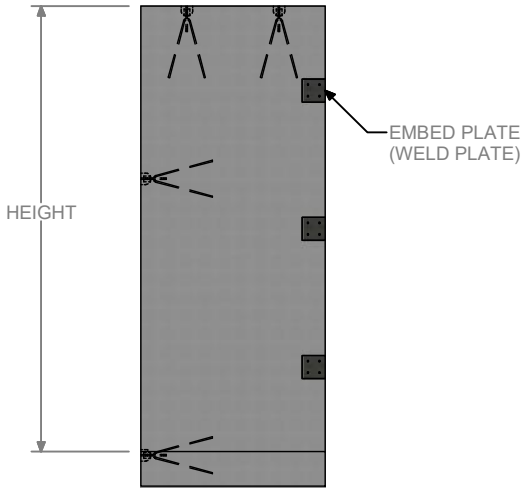
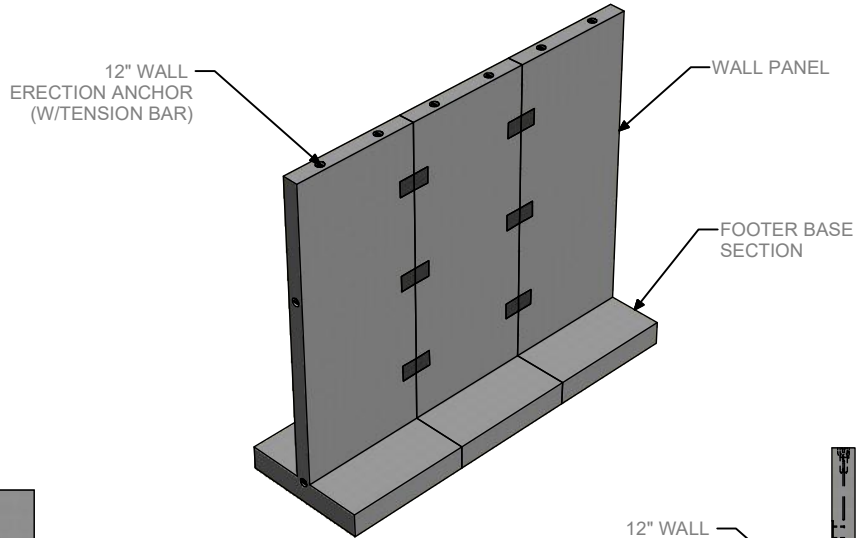
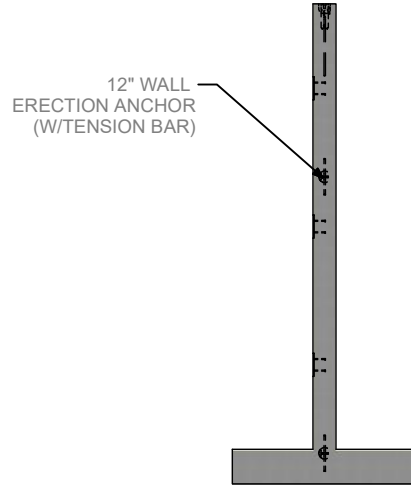




BASE SECTION
37,610 LBS. EA
*BASED ON 8'-0" L X 20'-10" H



ELEV. VIEW



ELEV. VIEW

STANDARD FIREWALL FEATURES

-
-
-
-
-
-

FIREWALL OPTIONS

- Blockouts or Thinwall Knockouts as Needed
- Weld Connection or Bolt Connection

-
-
-
-
-

