

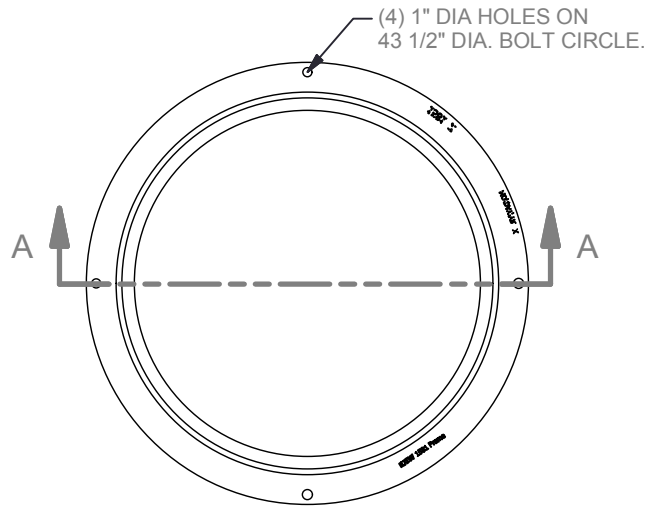


STRUCTURE ID: C-300

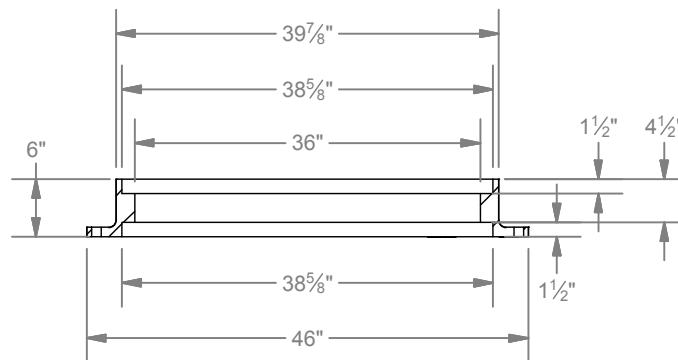
Cast Iron Frame
EJCO | 1581



Cast Iron Frame EJCO | 1581 ... STRUCTURE ID : C-300



PLAN VIEW



SECTION A-A
SCALE 1:20

STANDARD FEATURES

- Materials Gray Iron (CL35B)
- Design Load Heavy Duty
- Coating Undipped
- ASTM A48
- Reversible (Top Flange or Bottom Flange)



LOCKE
SOLUTIONS

PROUDLY BASED IN
HOUSTON, TEXAS

T : 832-804-7062
F : 832-804-7071
E : info@lockesolutions.com

LOCKESOLUTIONS.COM

