

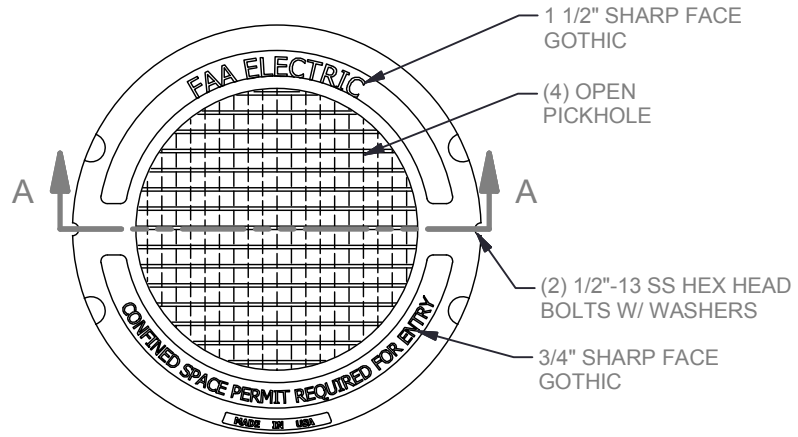


STRUCTURE ID: C150

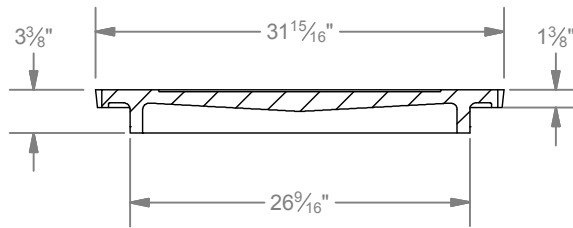
Cast Iron Cover  
EJCO | 1810A2VH



Cast Iron Cover EJCO | 1810A2VH :: STRUCTURE ID : C150



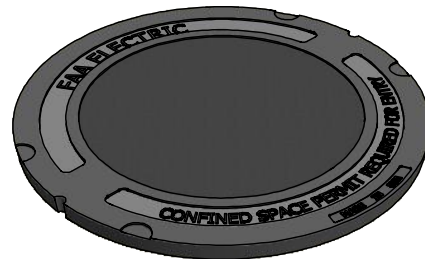
PLAN VIEW



SECTION A-A  
SCALE 1:15

**STANDARD FEATURES**

- Materials Gray Iron (CL35B)
- Design Load Heavy Duty
- Coating Undipped
- ASTM A48



**LOCKE**  
SOLUTIONS

PROUDLY BASED IN  
HOUSTON, TEXAS

T : 832-804-7062  
F : 832-804-7071  
E : info@lockesolutions.com

LOCKESOLUTIONS.COM

