

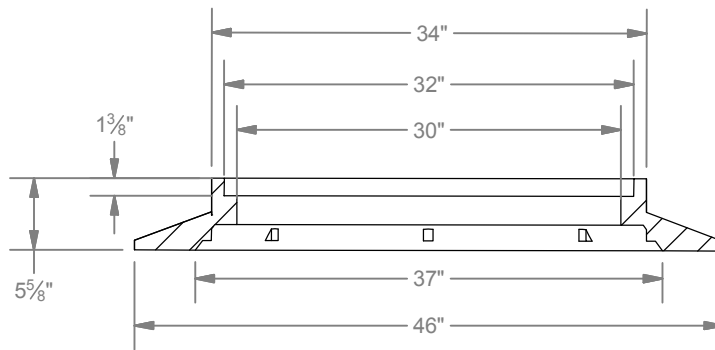
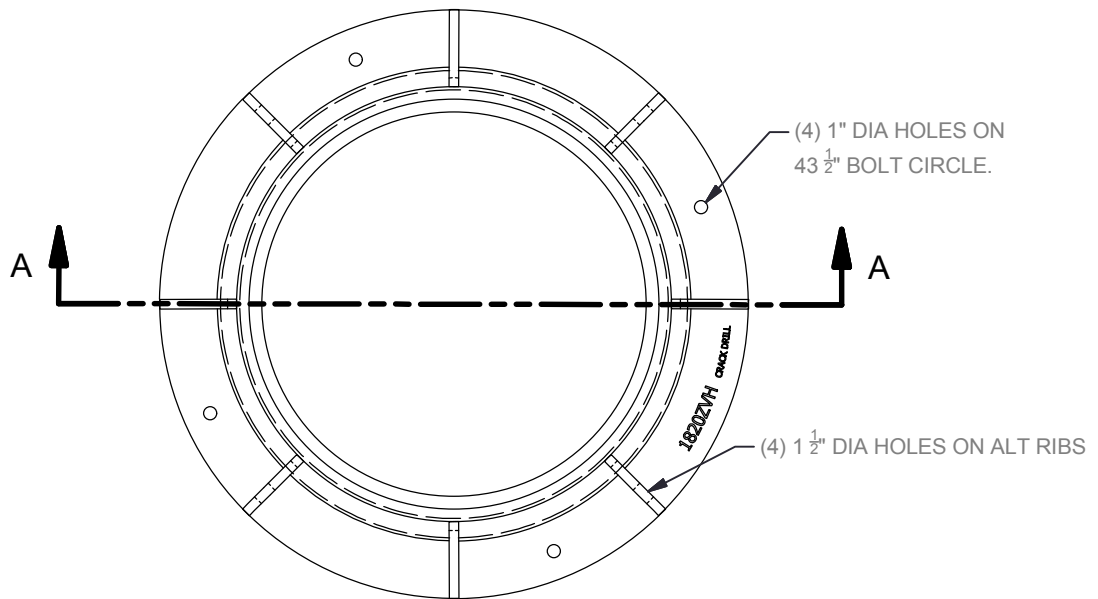


STRUCTURE ID: C130

Cast Iron Frame  
EJCO | 1820



Cast Iron Frame EJCO | 1820 ... STRUCTURE ID : C130



SECTION A-A  
SCALE 1 / 15

### STANDARD FEATURES

- Materials Gray Iron (CL35B)
- Deign Load Heavy Duty
- Coating Undipped
- ASTM A48



**LOCKE**  
SOLUTIONS

PROUDLY BASED IN  
HOUSTON, TEXAS

T : 832-804-7062  
F : 832-804-7071  
E : info@lockesolutions.com

LOCKESOLUTIONS.COM