

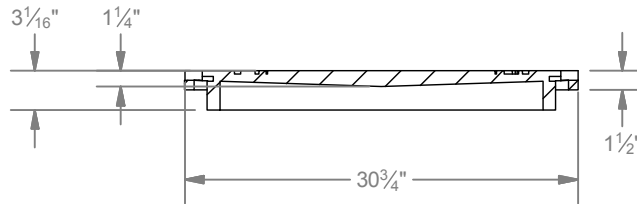
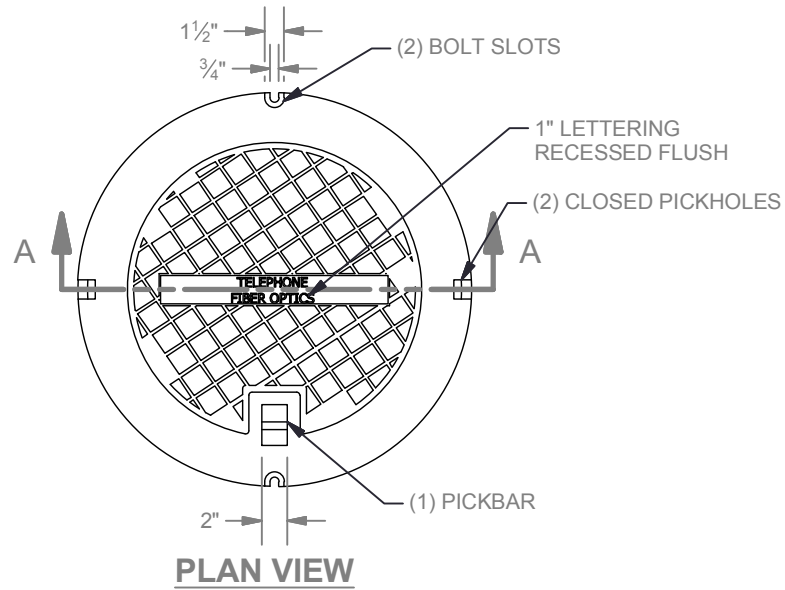


STRUCTURE ID: C420

Cast Iron Cover
EJCO | 2805A COVER



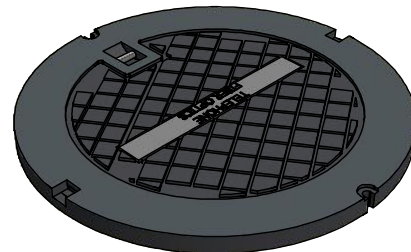
Cast Iron Cover EJCO | 2805A COVER ... STRUCTURE ID : C420



SECTION A-A
SCALE 1:15

STANDARD FEATURES

- Materials Gray Iron (CL35B)
- Design Load Heavy Duty
- Coating Undipped
- ASTM A48



LOCKE
SOLUTIONS

PROUDLY BASED IN
HOUSTON, TEXAS

T : 832-804-7062
F : 832-804-7071
E : info@lockesolutions.com

LOCKESOLUTIONS.COM

