

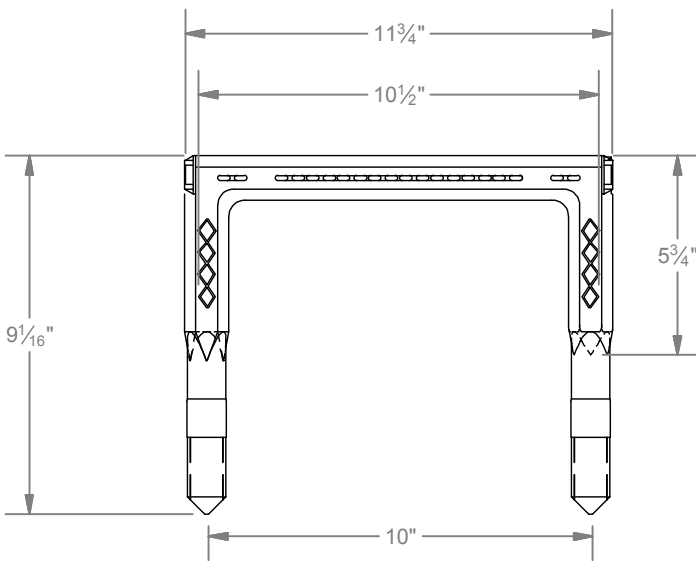


STRUCTURE ID: R305

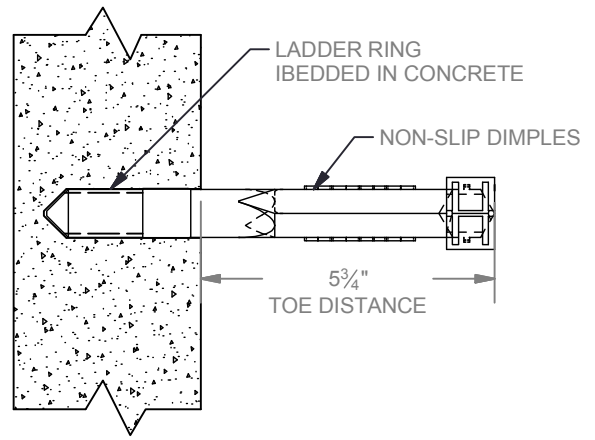
Copolymer Polypropylene Plastic
M.A. Industries Step



Copolymer Polypropylene Plastic M.A. Industries Step :: STRUCTURE ID : R305



ELEVATION VIEW



SIDE ELEVATION VIEW
(BEDDED)

STANDARD FEATURES

- No-slip Tread Surface On Both Side Respectively
- 10¹/₂" Tread Width
- 10" c-c Leg Measure
- Meets ASTM-C-478, ASTM D-4101
- ASTM A-615, AASHTO M-199
- OSHA STD 1-1.9 - CFR 1910.27

LOCKE
SOLUTIONS

PROUDLY BASED IN
HOUSTON, TEXAS

T : 832-804-7062
F : 832-804-7071
E : info@lockesolutions.com

LOCKESOLUTIONS.COM

