



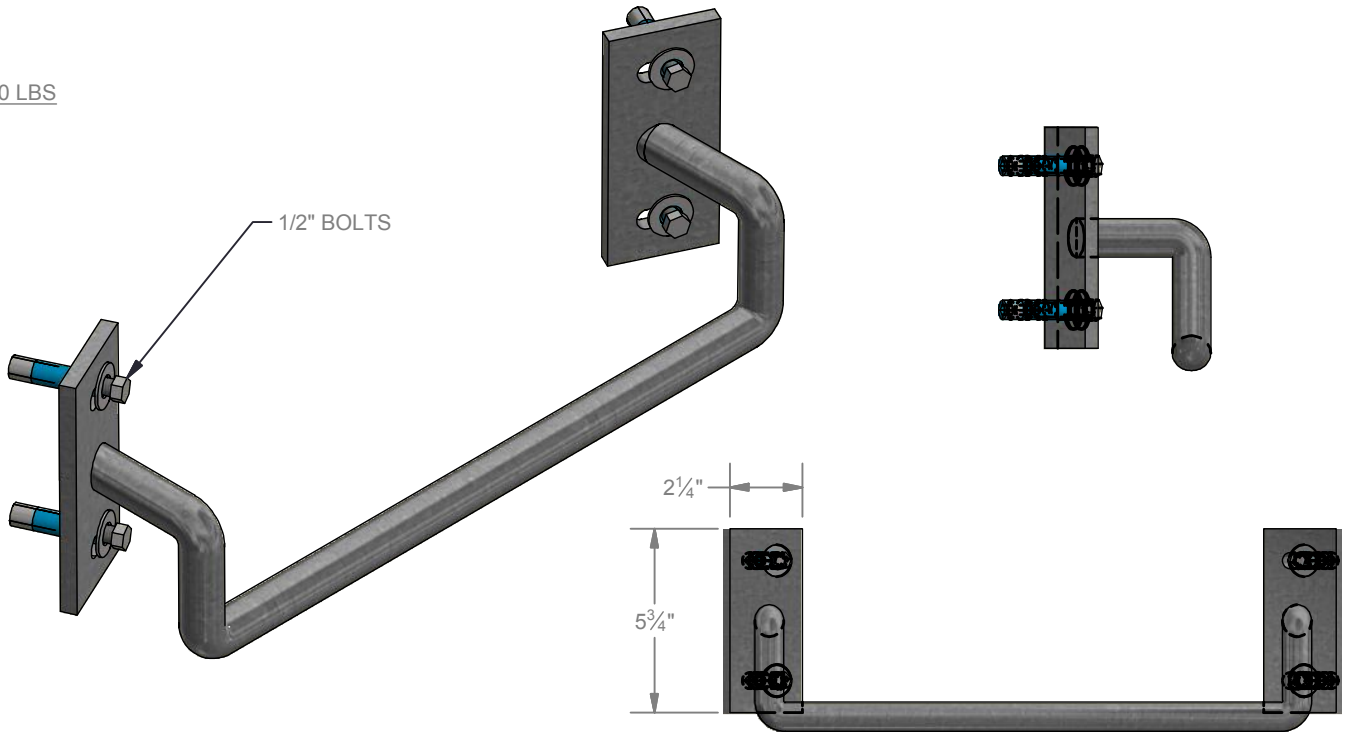
STRUCTURE ID: R300

17" BOLT ON STEP  
INWESCO BOLT ON LADDER

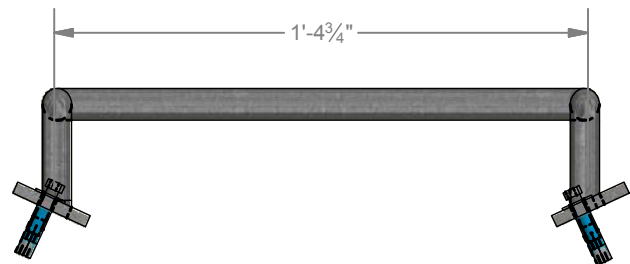


17" BOLT ON STEP INWESCO BOLT ON LADDER ::: STRUCTURE ID : R300

10 LBS



ELEVATION VIEW



PLAN VIEW

**INFORMATION:**

- HOT DIP GALVINIZED per ASTM A123 / A153
- Drop-Front Design To Provide Footing
- Provides Convenient Holding Point For Hooked Manhole Ladder
- Stress Relieved Prior To Galvanizing

**LOCKE**  
SOLUTIONS

PROUDLY BASED IN  
HOUSTON, TEXAS

T : 832-804-7062  
F : 832-804-7071  
E : info@lockesolutions.com

LOCKESOLUTIONS.COM

