

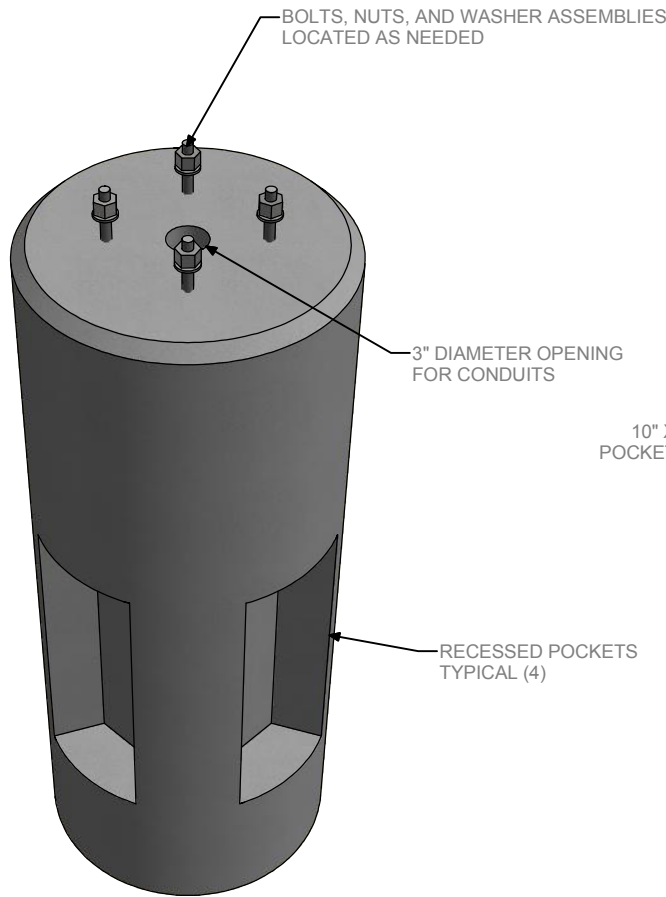


STRUCTURE ID: 900000

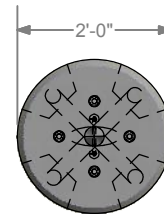
24" Dia. Precast Concrete Light Pole Base W/ Pockets



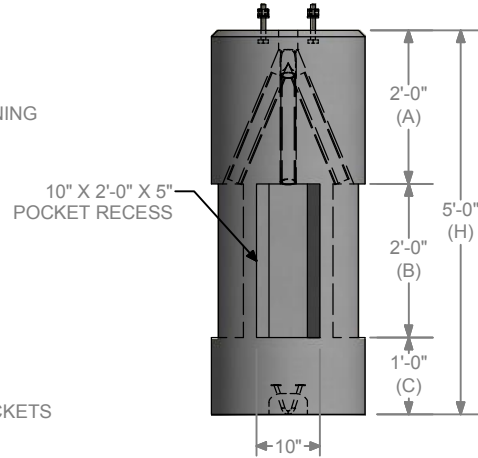
24" Dia. Precast Concrete Light Pole Base W/ Pockets :: STRUCTURE ID : 900000



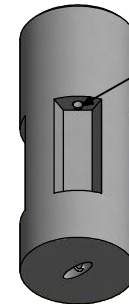
BASE
2,000 LBS.



PLAN VIEW



ELEV. VIEW



CONDUIT OUTPUT

STANDARD FEATURES

- Bolts, Nuts, and Washer Assemblies As Needed (shown)
- Conduits As Needed (shown)
- Chamfered Top Edge (shown)
- Recessed Pockets (shown)

H	A	B	C
5'-0"	2'-0"	2'-0"	1'-0"
6'-0"	3'-0"	2'-0"	1'-0"
7'-0"	3'-0"	3'-0"	1'-0"
8'-0"	4'-0"	3'-0"	1'-0"

LOCKE
SOLUTIONS

PROUDLY BASED IN
HOUSTON, TEXAS

T : 832-804-7062
F : 832-804-7071
E : info@lockesolutions.com

LOCKESOLUTIONS.COM