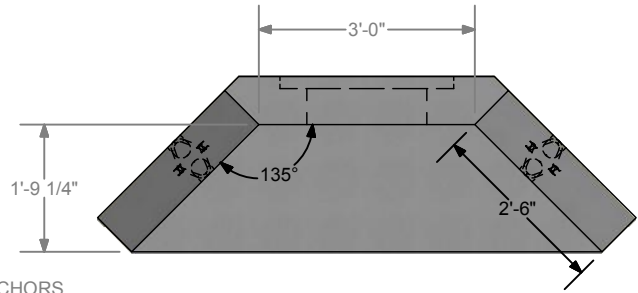


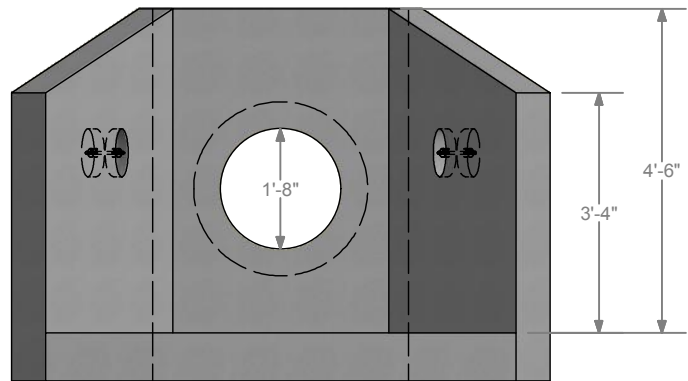
LIFTING ANCHORS

BLOCKOUT FOR PIPE

BASE SECTION
4,700 LBS.



PLAN VIEW (BASE)



ELEV. VIEW

WINGWALL FEATURES

- Designed for HS-20 Loading
- Blockout with Recess for Pipe Connection (shown)
- Flared Walls (shown)

WINGWALL/HEADWALL OPTIONS

- Trench Connection Option Available
- Footer As Needed Per Design
- Pipe Opening Can Vary
- Flared Walls Can Vary Based on Design
- Additional Sizes Available Upon Request