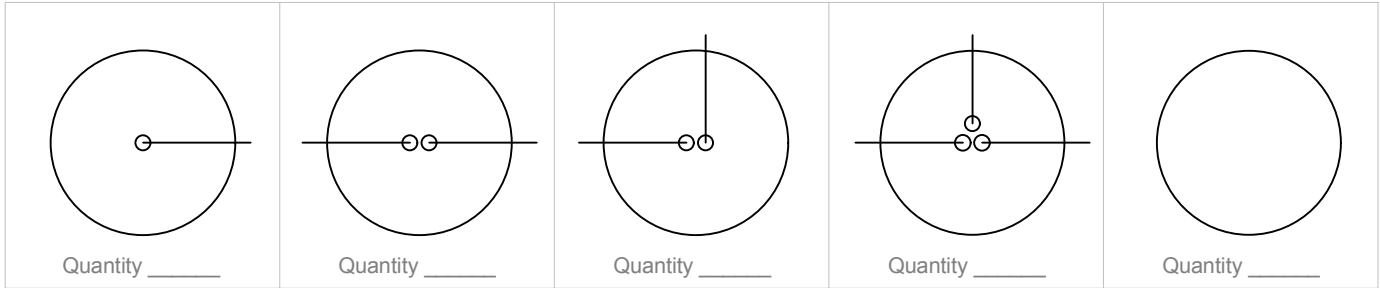


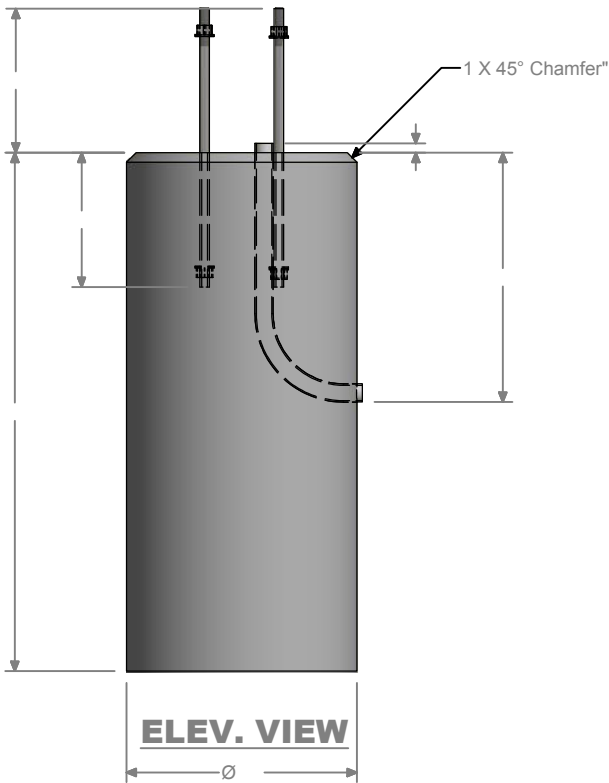


STRUCTURE ID: LPB

Precast Concrete
Light Pole Base



PLAN VIEW



DIAMETER OF ANCHOR BOLT CIRCLE	
NUMBER OF ANCHOR BOLTS PER BASE	
SIZE OF ANCHOR BOLTS	
SIZE OF CONDUIT	
GROUND WIRE	