

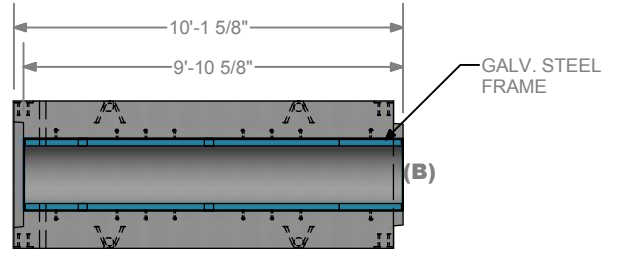
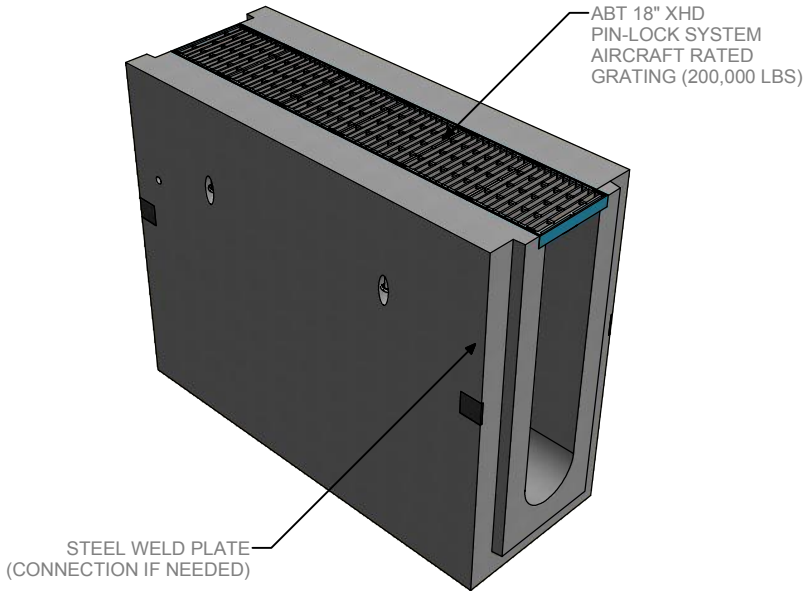


Typical Trench

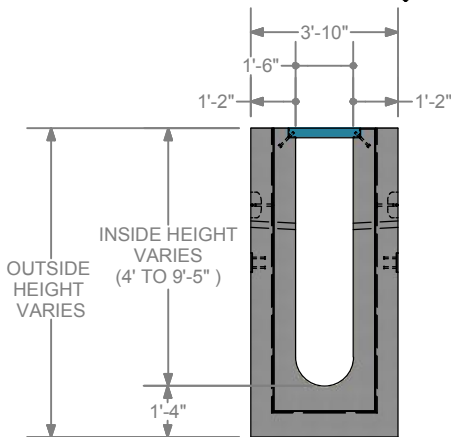
18" Wide Precast Trench Drain ABT XHD Trench Former System



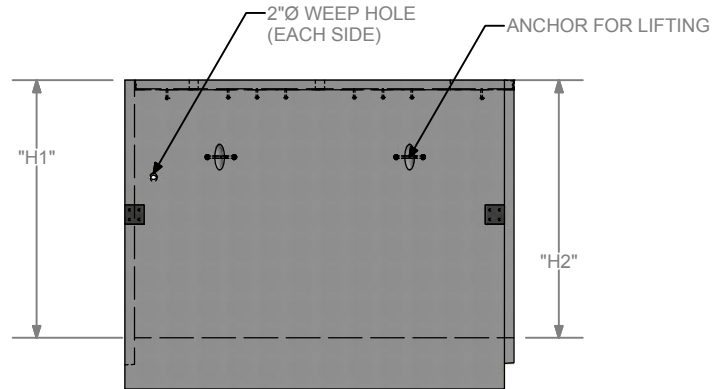
18" Wide Precast Trench Drain ABT XHD Trench Former System :: STRUCTURE ID : CAT-ABT-TRENCH-SYSTEM



PLAN VIEW



(B) ELEV. VIEW



(A) ELEV. VIEW

STANDARD PRECAST TRENCH DRAIN FEATURES

- Designed for Heavy Duty Equipment/ Aircraft
- Concrete 28 Day Compressive Strength =>6,000 PSI
- Radius Invert Sloped Using ABT XHD Trench Former System As Needed
- 2" Ø Weep Hole (Shown)
- 0.31" Thick Embedded Galvanized Steel Angle (Shown)
- Dowel Inserts as Needed to Tie into Adjacent Paving
- Horizontal Keyway on Exterior as Needed

In Partnership With:



LOCKE SOLUTIONS

PROUDLY BASED IN HOUSTON, TEXAS

T : 832-804-7062
F : 832-804-7071
E : info@lockesolutions.com

LOCKESOLUTIONS.COM