

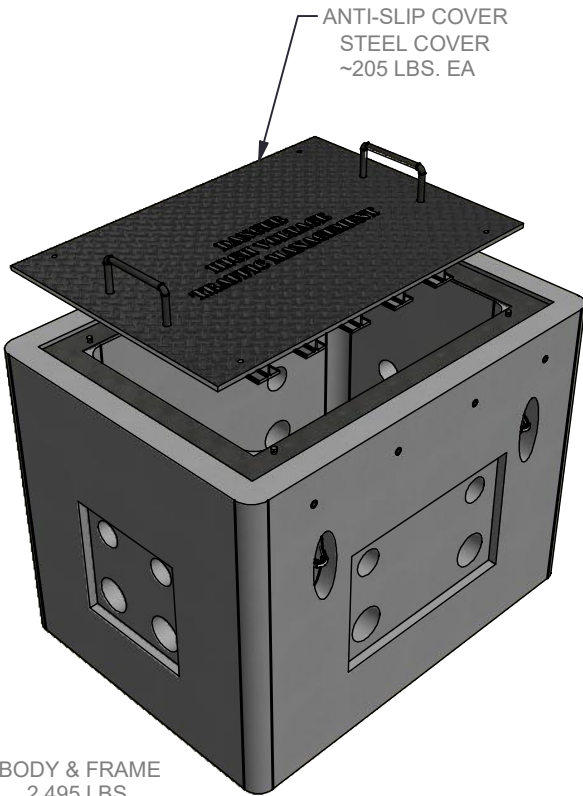


STRUCTURE ID: 200350

2'-0" X 3'-0" X 3'-0" Precast Concrete
Electrical Type 1 ITS

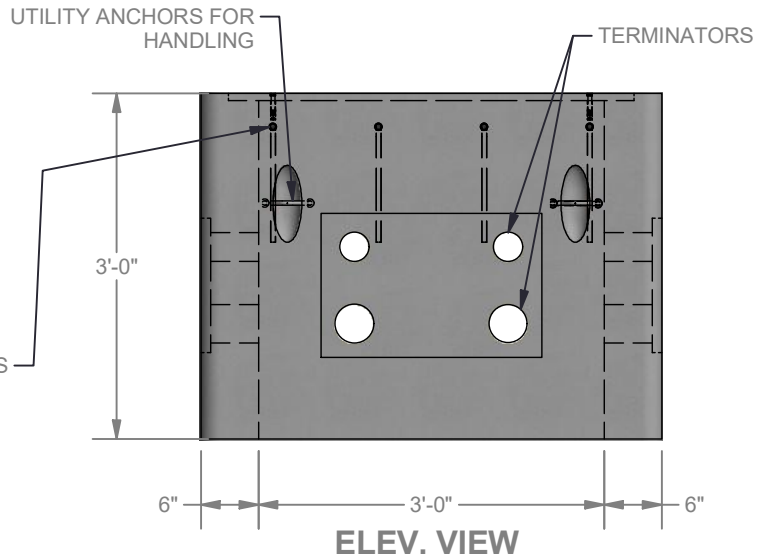
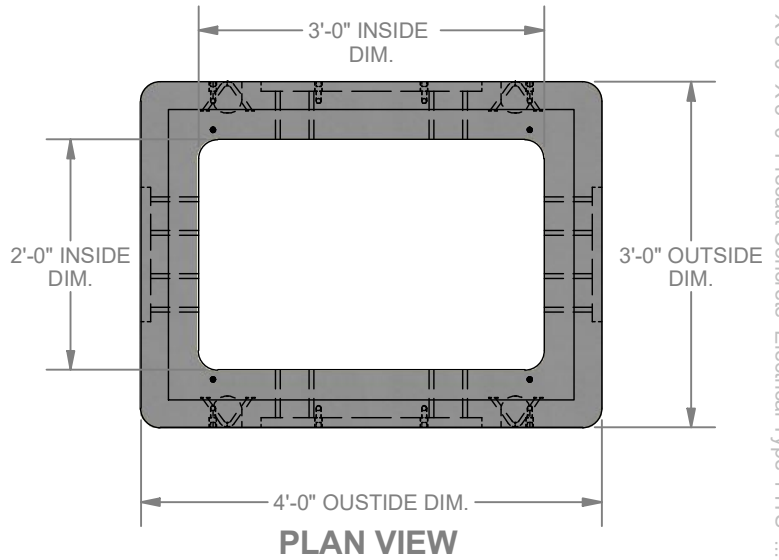


2'-0" X 3'-0" X 3'-0" Precast Concrete Electrical Type 1 ITS :: STRUCTURE ID : 200350



BODY & FRAME
2,495 LBS.

#4 DOWEL COUPLERS



STANDARD PULL BOX FEATURES

- Designed for HS-20 Loading
- Thin Wall Knockouts (shown)
- Ø3" Terminators
- Ø4" Terminators
- Diamond Plate Finish on Cover (shown)
- #4 Dowel Rebar Couplers

LOCKE
SOLUTIONS

PROUDLY BASED IN
HOUSTON, TEXAS

T : 832-804-7062
F : 832-804-7071
E : info@lockesolutions.com

LOCKESOLUTIONS.COM

